

Installation rough flush mounted with light -

35 034 970 Product version from 4/1/2022



- Rough parts
- 2x female thread 1/2" connections
- Flush-mounted reflective box Ø 14-1/8" RAL 9003 signal white

Separate LED Power supply

Input LED Power supply

- Electrical connection: 100-240 V AC, 50-60 Hz, 20 watts

Output LED Power supply

- 12V DC (CV)

Output Specification LED Power supply

- SELV (Safety Extra Low Voltage)
- Class 2

Ceiling module power supply

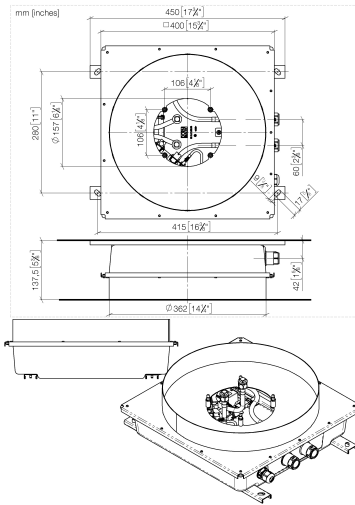
- 12V DC (CV)
- Connecting cable 27-1/2"

Control

- ZigBee Light Link RGBW Controller
- To be provided by the customer: Zigbee Gateway
- Not suitable for outdoor use.
- Not suitable for use in a steam room.
- Not suitable for use in chlorinated or salty environments.
- Observe the regulations concerning protected zones specified in DIN VDE 0100, Part 701 (IEC 60364-7-701).
- Dornbracht recommends consulting a systems integrator.

Installation rough flush mounted with light -

35 034 970 Product version from 4/1/2022



Codes & Standards

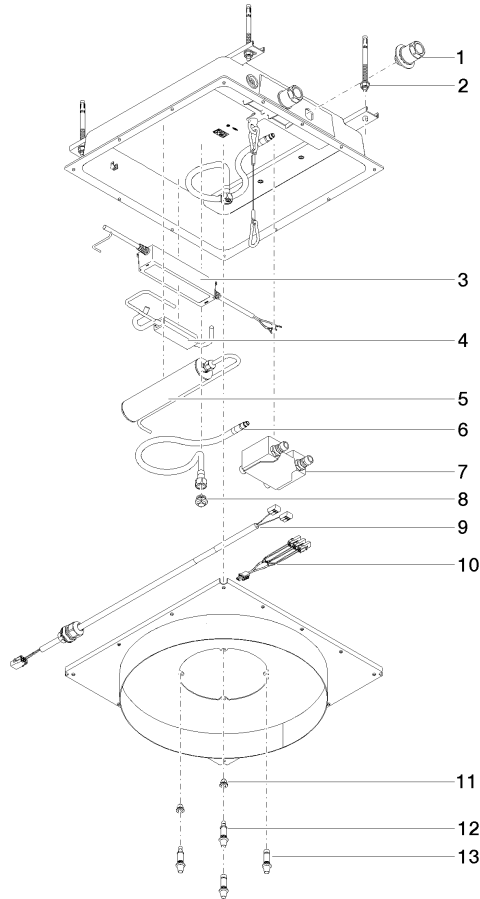
ASME A112.18.1 cUPC

Certificates

IAPMO_4976 (

Installation rough flush mounted with light -

35 034 970 Product version from 4/1/2022



Spare parts list

Number	Item Number	Designation	Number of units	Lead time
1	90 24 03 306 00 90	fixing set	2	2
2	04 30 35 008 00 90	fixing set	1	2
3	90 10 01 212 00 90	electronic accessories	1	2
4	90 10 01 214 00 90	electronic accessories	1	2
5	90 10 01 211 00 90	electronic accessories	2	2
6	04 30 04 097 00 90	hose	2	60
7	90 30 01 216 10 90	Venting service kit	1	2
8	09 31 20 042 90	plug	2	2
9	90 10 01 228 00 90	electronic accessories	1	2
10	90 10 01 229 00 90	electronic accessories	1	2
11	90 14 03 189 00 90	plug	1	2
12	90 30 01 215 01 90	fixing set	2	2
13	90 30 01 215 00 90	fixing set	2	2