

Installation rough , ceiling-mounted with light -

35 042 970 Product version from 4/1/2022



- Rough parts
- 2x female thread 1/2" connections

Separate LED Power supply

Input LED Power supply

- Input 100-240V AC 50-60Hz

Output LED Power supply

- 350mA (CC)

Output Specification LED Power supply

- SELV (Safety Extra Low Voltage)
- Class 2

Ceiling module power supply

- 350mA (CC)
- Connecting cable 27-1/2"
- Light switch not included

Environment

- Not suitable for outdoor use.
- Not suitable for use in a steam room.
- Not suitable for use in chlorinated or salty environments.
- Observe the regulations concerning protected zones specified in DIN VDE 0100, Part 701 (IEC 60364-7-701).



Installation rough , ceiling-mounted with light -

35 042 970 Product version from 4/1/2022

Codes & Standards

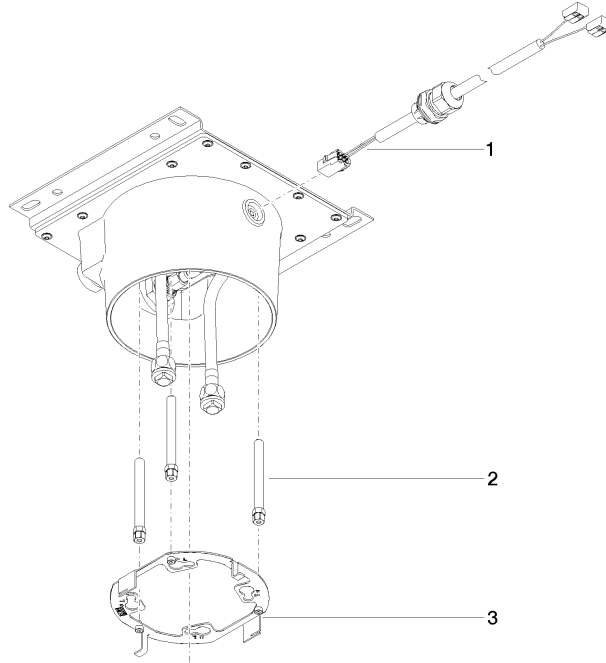
ASME A112.18.1 cUPC

Certificates

IAPMO_4976 (

Installation rough , ceiling-mounted with light -

35 042 970 Product version from 4/1/2022



Spare parts list

Number	Item Number	Designation	Number of units	Lead time
1	90 10 01 227 00 90	electronic accessories	1	2
2	90 10 01 257 00 90	electronic accessories	1	2
3	90 30 30 208 00 90	screw	1	2
4	90 17 20 239 00 90	flange	1	2