

Installation rough flush mounted -

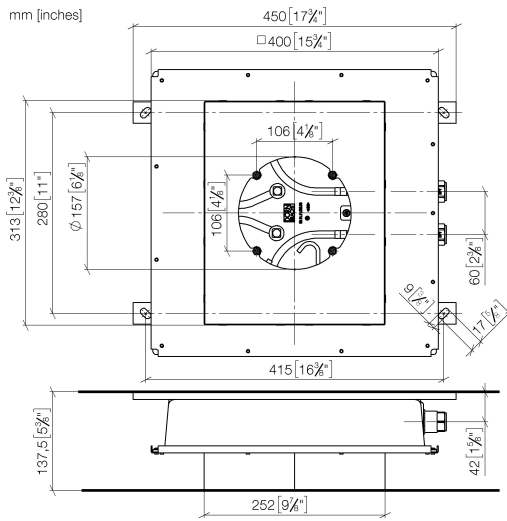
35 043 970 Product version from 4/1/2022



- Rough parts
- 2x female thread 1/2" connections
- Flush-mounted reflective cover 12-1/4" x 9-7/8" RAL 9003 signal white
- For simultaneous control of the jet types, we recommend the xTool thermostat module
- Not suitable for use in a steam room.

Installation rough flush mounted -

35 043 970 Product version from 4/1/2022



Codes & Standards

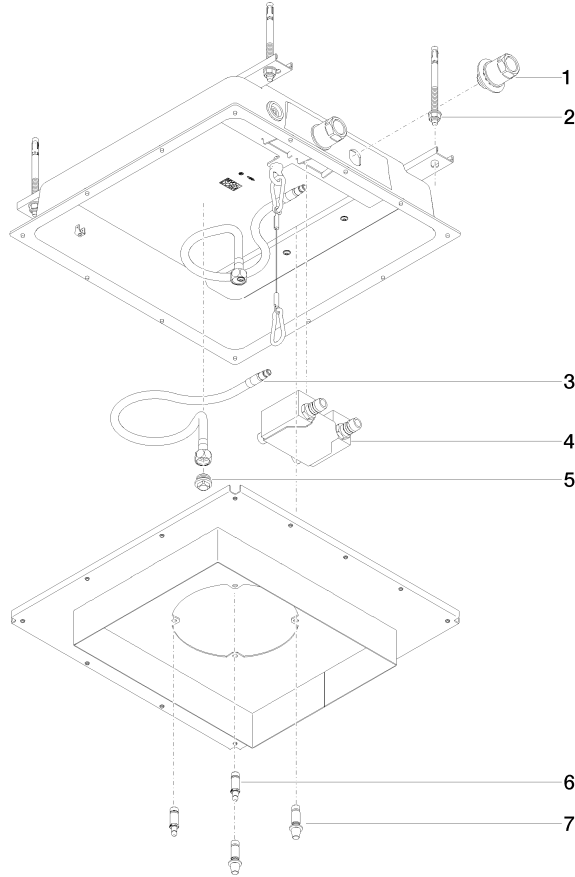
ASME A112.18.1 cUPC

Certificates

IAPMO_4976 (

Installation rough flush mounted -

35 043 970 Product version from 4/1/2022



Spare parts list

Number	Item Number	Designation	Number of units	Lead time
1	90 24 03 306 00 90	fixing set	2	2
2	04 30 35 008 00 90	fixing set	1	2
3	04 30 04 097 00 90	hose	2	60
4	90 30 01 216 10 90	Venting service kit	1	2
5	09 31 20 042 90	plug	2	2
6	90 21 40 065 01 90	fixing set	1	2
7	90 30 01 215 00 90	fixing set	1	2