

Concealed wall elbow -

35 085 970 Product version from 3/7/2023

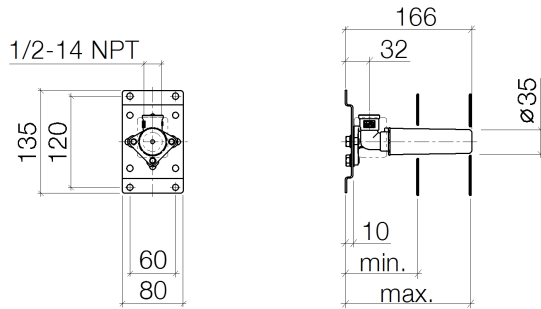


- brass, lead free
- female thread 1/2" connection
- 1x outlet 1/2"
- Mud guard
- Water protection
- Sound insulation



Concealed wall elbow -

35 085 970 Product version from 3/7/2023



	min	max
CL_1	90	163
Deque	90	163
Domicil	90	163
Gentle	90	163
IMO	90	163
Lissé	90	163
MEM	90	163
Symetrics	90	163
Vaia	90	163

Codes & Standards

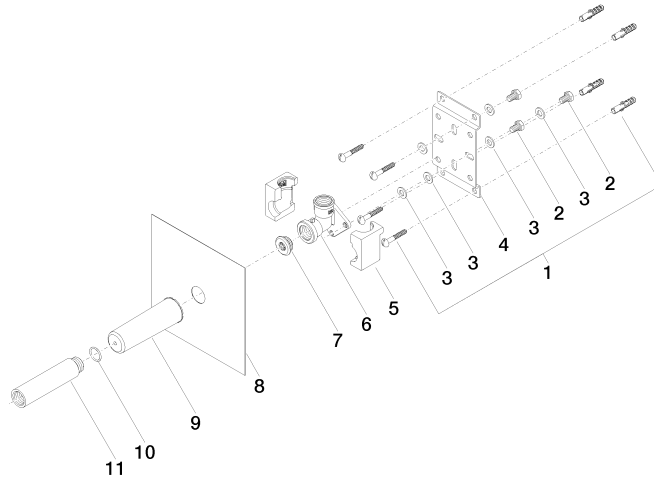
ASME A112.18.1	ASME A112.18.1/CSA B125.1	cUPC	NSF372
NSF61			

Certificates

IAPMO_N-4976 IAPMO_6397 IAPMO_4976 (

Concealed wall elbow -

35 085 970 Product version from 3/7/2023



Spare parts list

Number	Item Number	Designation	Number of units	Lead time
	1 04 30 31 024 01 90	fixing set	2	2
	2 09 30 30 152 90	screw	3	2
	3 09 30 11 139 90	disc	6	2
	4 09 17 20 094 90	holder	1	2
	5 09 11 11 036 90	accessories	1	2
	6 09 11 03 042 10 90	connection	1	60
	7 04 31 20 006 00 90	plug	1	2
	8 04 14 03 072 01 90	gasket kit	1	2
	9 09 21 02 102 90	cap	1	2
	10 90 14 10 010 00 90	seal	1	2
	11 09 24 03 169 10 90	adaptor	1	2