

POT FILLER Rough-in wall elbow -

35 087 970



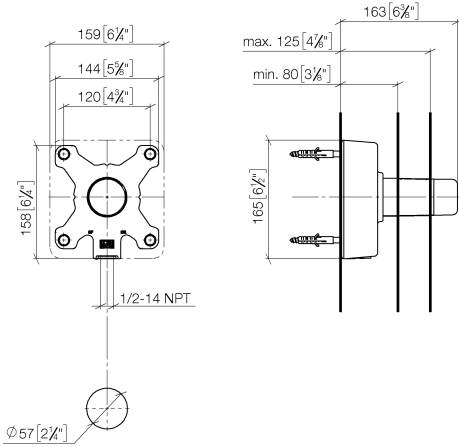
- female thread 1/2" connection
- Water protection
- Sound insulation
- Mud guard
- Min. rough in depth 3-1/8"
- Max. rough in depth 4-7/8"



POT FILLER Rough-in wall elbow -

35 087 970

mm [inches]



Codes & Standards

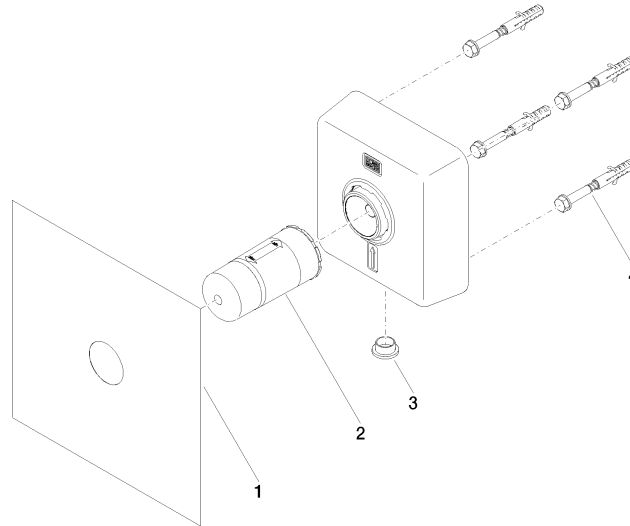
ASME A112.18.1	ASME A112.18.1/CSA B125.1	cUPC	NSF/ANSI/CAN 61
NSF372	NSF61		

Certificates

IAPMO_N-4976 IAPMO_6397 IAPMO_4976 (

POT FILLER Rough-in wall elbow -

35 087 970



Spare parts list

Number	Item Number	Designation	Number of units	Lead time
1	04 14 03 079 00 90	gasket kit	1	2
2	09 21 02 177 90	cap	1	2
3	09 31 20 092 90	plug	1	2
4	04 30 31 012 00 90	fixing set	1	2