

Concealed thermostat for one- and two-way outlets -

35 426 970



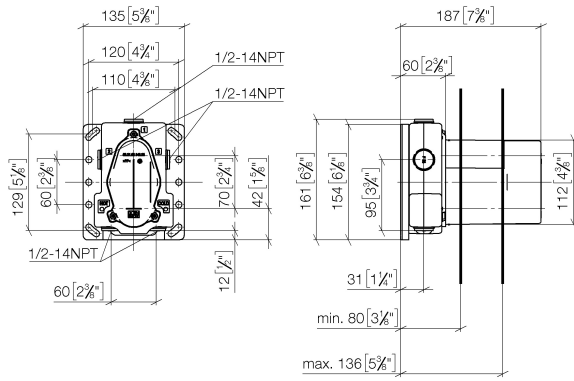
- integrated stop
- lead free compliant
- 2x back flow preventer
- 2x Connection 1/2" IT (cold/warm), DN 15
- 3x outlet 1/2"
- Mud guard
- Water protection
- Noise and heat insulation
- suitable for xGRID (when using installation track + 1/2" recess depth)
- Center to center 2-3/4"
- 3x outlet 1/2"
- single flow function only



Concealed thermostat for one- and two-way outlets -

35 426 970

mm [inches]



Codes & Standards

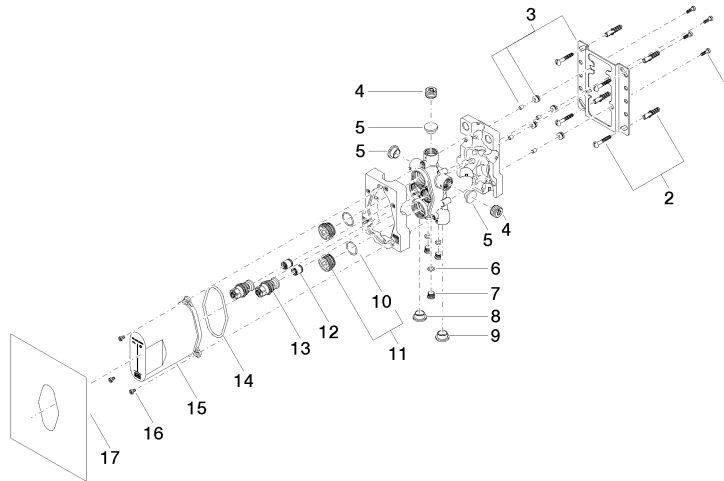
ASME A112.18.1	ASME A112.18.1/CSA B125.1	cUPC
----------------	---------------------------------	------

Certificates

IAPMO_4976 (

Concealed thermostat for one- and two-way outlets -

35 426 970



Spare parts list

Number	Item Number	Designation	Number of units	Lead time
1	09 30 30 171 90	screw	4	2
2	04 30 31 024 01 90	fixing set	2	2
3	04 17 20 127 00 90	holder	1	2
4	09 31 20 064 90	plug	2	2
5	09 31 20 092 90	plug	3	2
6	09 14 10 139 90	seal	3	2
7	09 31 20 039 10 90	plug	3	60
8	09 31 20 093 90	plug	1	2
9	09 31 20 094 90	plug	1	2
10	09 14 10 112 90	seal	2	2
11	04 30 11 149 00 90	plug	2	2
12	90 23 01 040 00 90	back-flow preventer	2	2
13	04 29 05 031 01 90	insert	2	2
14	09 14 10 512 90	seal	1	2
15	04 21 02 146 00 90	cap	1	2
16	09 30 30 112 90	screw	3	2
17	04 14 03 080 00 90	gasket kit	1	2