

**xTOOL Concealed thermostat rough with three volume controls -**

---

35 547 970 Product version from 5/12/2021



- brass, lead free
- 2x back flow preventer
- Integrated supply stops
- 1/2" connection
- 2x connections 3/4" (hot/cold)
- Thermostat cartridge
- 2x Ceramic disc cartridge
- 3x Mud guard
- 2x Water protection
- Sound insulation
- Center to center 4-3/4"

**Recommended article**

---

**Extension 1-1/8" -**

12 177 970 90



**Recommended article**

---

**Extension 1-3/4" -**

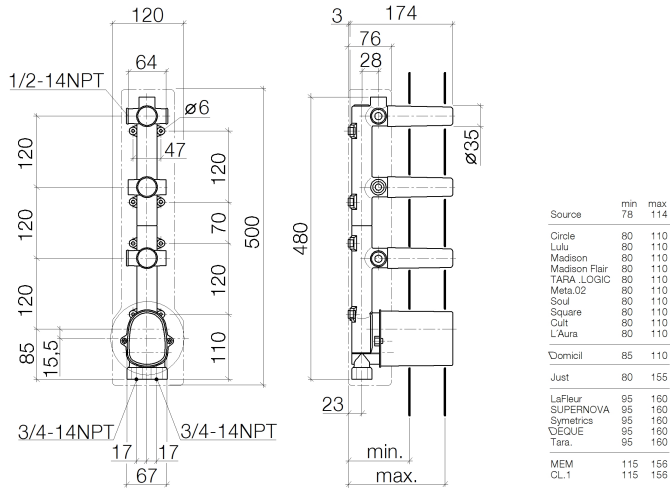
12 178 970 90



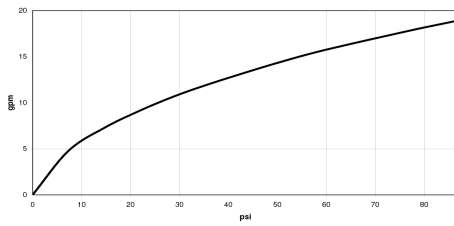


## xTOOL Concealed thermostat rough with three volume controls -

35 547 970 Product version from 5/12/2021



### Flow rate chart



### Codes & Standards

ASME A112.18.1

cUPC



## xTOOL Concealed thermostat rough with three volume controls -

---

35 547 970 Product version from 5/12/2021

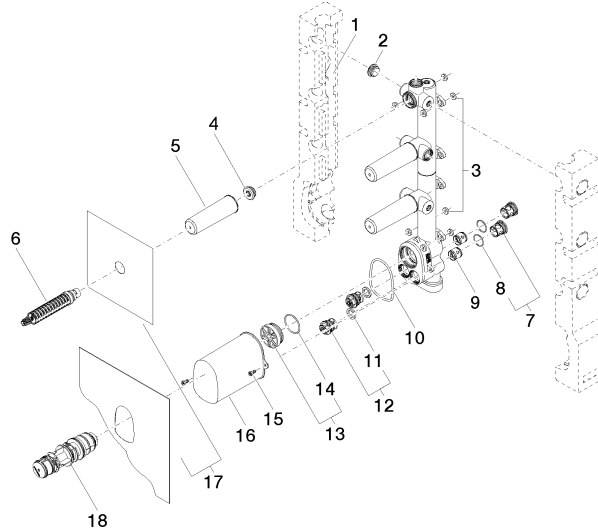
### Certificates

---

IAPMO\_4976 (

**xTOOL Concealed thermostat rough with three volume controls -**

35 547 970 Product version from 5/12/2021



**Spare parts list**

Number	Item Number	Designation	Number of units	Lead time
1	09 11 11 009 90	accessories	1	2
2	04 31 20 062 10 90	plug	4	2
3	04 14 05 045 00 90	set	1	2
4	04 31 20 006 00 90	plug	3	2
5	09 21 02 102 90	cap	3	2
6	90 90 03 143 00 90	top	3	2
7	04 21 34 077 00 90	nipple	2	2
8	09 14 10 098 90	seal	2	2
9	90 23 01 045 00 90	back-flow preventer	2	2
10	09 14 10 189 90	seal	1	2
11	09 14 05 002 90	seal	2	2
12	90 29 05 031 00 90	insert	2	2
13	04 31 20 100 00 90	plug	1	2
14	09 14 10 111 90	seal	1	2
15	90 30 30 027 00 90	screw	2	2
16	09 21 02 103 90	cap	1	2
17	04 14 03 073 07 90	gasket kit	1	2
18	90 15 02 063 00 90	cartridge	1	2