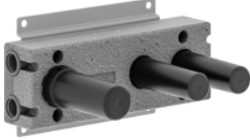


Rough for wall valve with two volume controls with diverter for wall-mounted installation -

35 696 970



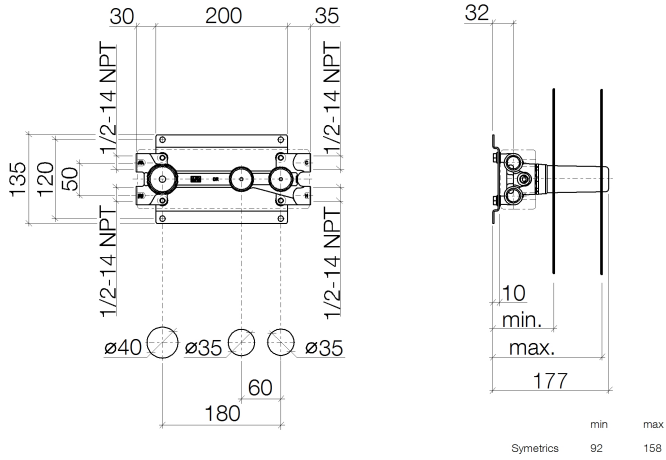
- brass, lead free
- 2x female thread 1/2" connections
- 2x outlet 1/2"
- 3x Water protection
- 3x Mud guard
- Sound insulation
- suitable for xGRID (when using installation track + 1/2" recess depth)

NOTE: Important for certain series! Due to minimum rough-in requirements, a framing of 2x6 studs may be needed.

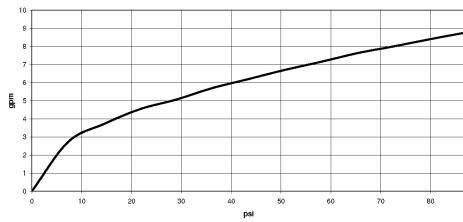


Rough for wall valve with two volume controls with diverter for wall-mounted installation -

35 696 970



Flow rate chart

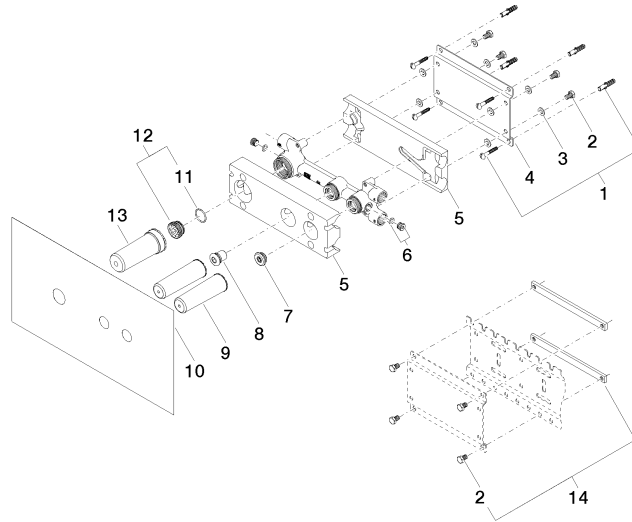


Codes & Standards

ASME
A112.18.1/CSA
B125.1

Rough for wall valve with two volume controls with diverter for wall-mounted installation -

35 696 970



Spare parts list

Number	Item Number	Designation	Number of units	Lead time
1	04 30 31 024 01 90	fixing set	2	2
2	09 30 30 152 90	screw	8	2
3	09 30 11 139 90	disc	8	2
4	09 17 20 095 90	holder	1	60
5	09 11 11 034 90	accessories	1	60
6	04 31 20 039 11 90	plug	2	2
7	04 31 20 006 00 90	plug	1	2
8	04 31 20 037 00 90	plug	1	2
9	09 21 02 102 90	cap	2	2
10	04 14 03 115 00 90	gasket kit	1	2
11	09 14 10 112 90	seal	1	2
12	04 30 11 149 00 90	plug	1	2
13	09 21 02 136 90	cap	1	2
14	04 17 20 101 00 90	fixing set	1	2