



Rough for wall-mounted faucet , spout on right -

35 714 970



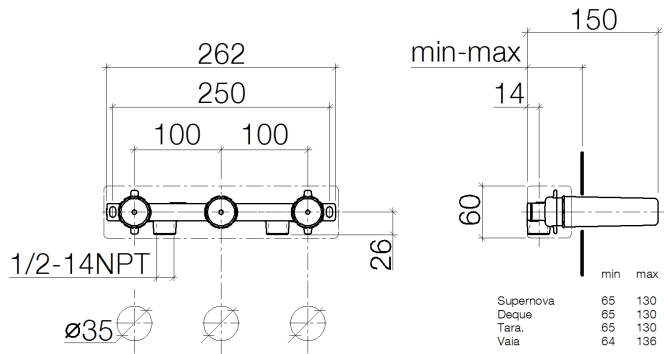
- brass, lead free
- 2x female thread 1/2" connections
- 3x outlet 1/2"
- 3x plug 1/2"
- 3x Mud guard
- Sound insulation
- Center to center 3-7/8"

NOTE: Important for certain series! Due to minimum rough-in requirements, a framing of 2x6 studs may be needed.

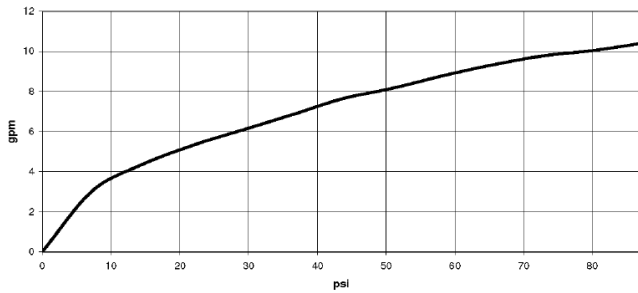


Rough for wall-mounted faucet , spout on right -

35 714 970



Flow rate chart



Codes & Standards

ASME A112.18.1	ASME A112.18.1/CSA B125.1	cUPC
----------------	---------------------------------	------



Rough for wall-mounted faucet , spout on right -

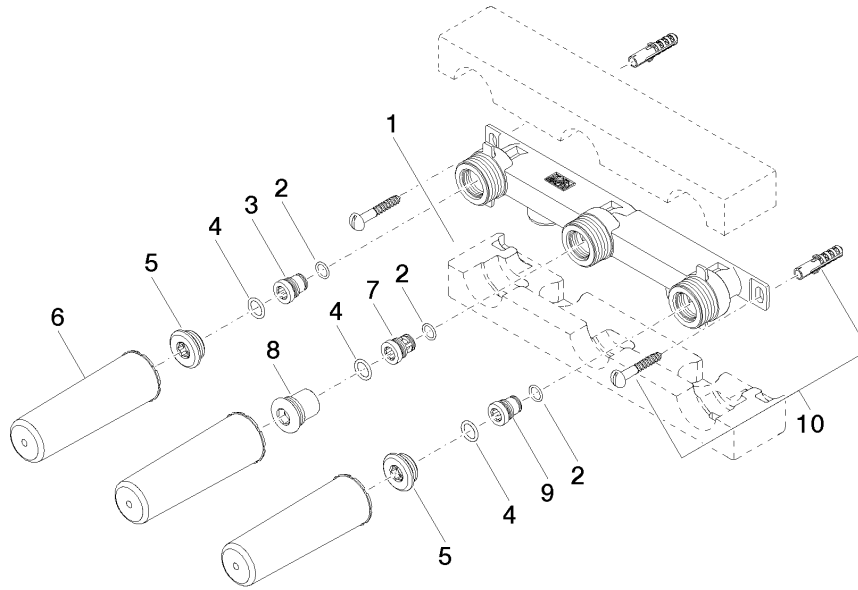
35 714 970

Certificates

IAPMO_4976 (

Rough for wall-mounted faucet , spout on right -

35 714 970



Spare parts list

Number	Item Number	Designation	Number of units	Lead time
1	09 11 11 043 90	accessories	1	2
2	09 14 10 042 90	seal	3	2
3	09 24 03 210 10 90	nipple	1	2
4	09 14 10 003 90	seal	3	2
5	04 31 20 006 00 90	plug	2	2
6	09 21 02 102 90	cap	3	2
7	09 24 03 211 10 90	nipple	1	2
8	04 31 20 037 00 90	plug	1	2
9	09 24 03 209 10 90	nipple	1	2
10	04 30 31 024 01 90	fixing set	1	2