

Rough for wall-mounted faucet -

35 860 970 Product version from 5/1/2022



- brass, lead free
- 2x Connection 1/2" IT (cold/warm), DN 15
- 1x female thread 1/2" outlet for wall spout
- 1x outlet 1/2"
- 2x Mud guard
- Water protection
- Sound insulation
- Center to center 3-7/8"

Rough can be rotated to position the lever on top or to the left of the spout.

Recommended article



Extension 3/4" -

12 869 970 90

- Not compatible with 36 86X 664-FF0010.
- Not for combination with exposed trim parts 36 86X 664-FF0010

Recommended article



Extension 3/4" -

12 870 970 90

- Only for combination with exposed trim parts 36 86X 664-FF 0010.

Recommended article



Adapter for reversed water connections -

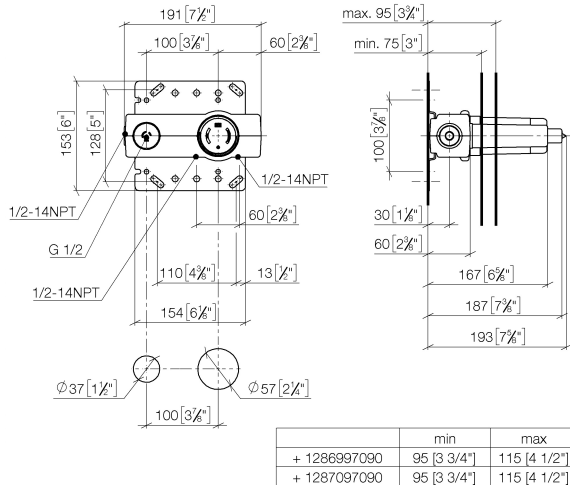
12 880 970 90

- Not compatible with 36 86X 664-FF0010.

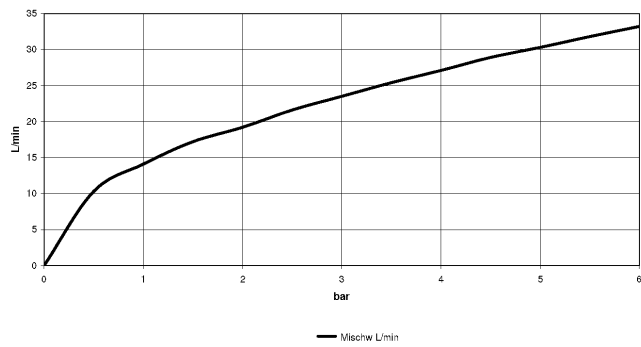
Rough for wall-mounted faucet -

35 860 970 Product version from 5/1/2022

mm [inches]



Flow rate chart



Codes & Standards

ASME A112.18.1	ASME A112.18.1/CSA B125.1	cUPC	NSF372
NSF61			



Rough for wall-mounted faucet -

35 860 970 Product version from 5/1/2022

Certificates

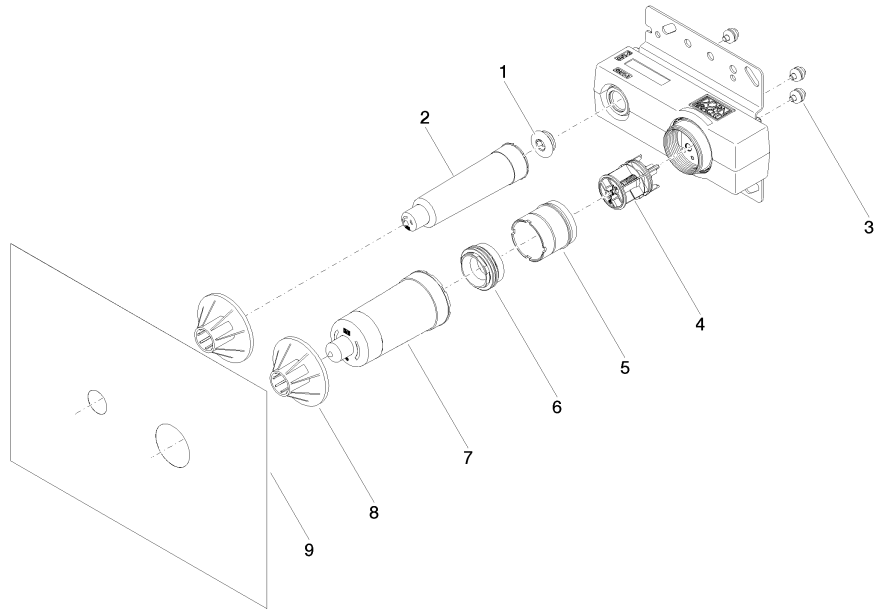
IAPMO_N-4976

IAPMO_6397

IAPMO_4976 (

Rough for wall-mounted faucet -

35 860 970 Product version from 5/1/2022



Spare parts list

Number	Item Number	Designation	Number of units	Lead time
1	04 31 20 006 00 90	plug	1	2
2	09 21 02 173 90	cap	1	2
3	90 30 11 086 00 90	fixing set	3	60
4	90 31 20 107 00 90	plug	1	2
5	90 17 01 238 00 90	sleeve	1	2
6	90 24 04 349 00 90	threaded connector	1	2
7	09 21 02 182 90	cap	1	2
8	90 23 01 174 00 90	sleeve	2	2
9	04 14 03 074 01 90	gasket kit	1	2