



## CL.1 Wall mounted two-way diverter - Brushed Platinum

36 201 705 Product version from 4/1/2022



- WAVE structure
- Manual diverter
- Flange 2-3/8" x 2-3/8"
- with integrated shut-off (ADA)

**Does not allow for simultaneous use of functions**

(ADA)

Does not allow for simultaneous use of functions

	Brushed Platinum	36 201 705-06 0010
	Chrome	36 201 705-00 0010
	Dark Chrome	36 201 705-19 0010
	Brushed Champagne (22kt Gold)	36 201 705-46 0010
	Champagne (22kt Gold)	36 201 705-47 0010
	Brushed Dark Platinum	36 201 705-99 0010

### Required article



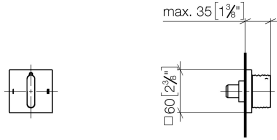
- Wall mounted two-way diverter -** 35 202 970-90  
•Max. rough in depth " 0010  
•Min. rough in depth "



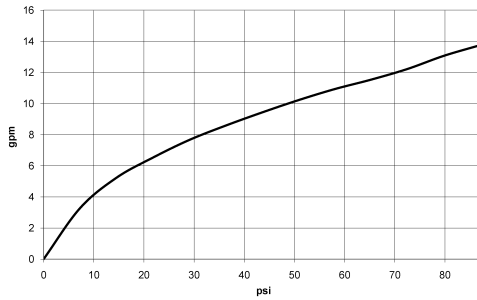
## CL.1 Wall mounted two-way diverter - Brushed Platinum

36 201 705 Product version from 4/1/2022

mm [inches]



### Flow rate chart



### Codes & Standards

ASME A112.18.1

California Energy  
Commission  
(CEC)

cUPC



## CL.1 Wall mounted two-way diverter - Brushed Platinum

---

36 201 705 Product version from 4/1/2022

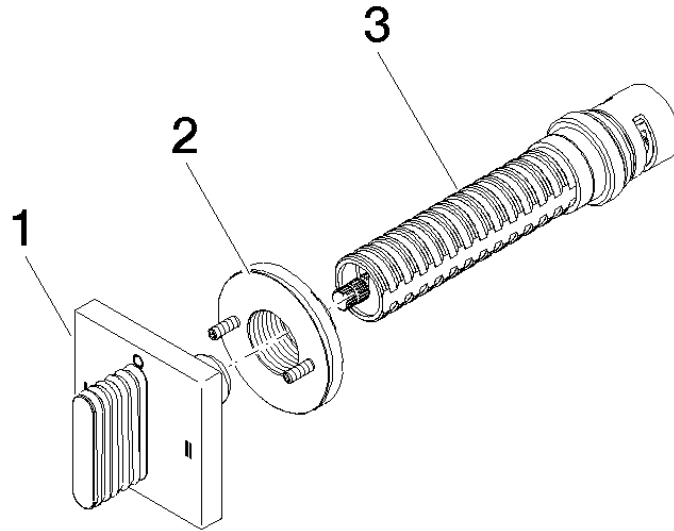
### Certificates

---

IAPMO\_4976 (

**CL.1 Wall mounted two-way diverter - Brushed Platinum**

36 201 705 Product version from 4/1/2022



**Spare parts list**

Number	Item Number	Designation	Number of units	Lead time
1	90 20 70 055 09-06	handle	1	10
2	90 21 02 181 00 90	disc	1	2
3	90 90 03 306 10 90	diverter	1	2