



## META Wall mounted three-way diverter - Brushed Champagne (22kt Gold)

36 210 661 Product version from 4/1/2022



- Manual diverter
- Without flange
- Handle Ø 2-3/8"

(ADA)

Does not allow for simultaneous use of functions

	Brushed Champagne (22kt Gold)	36 210 661-46 0010
	Chrome	36 210 661-00 0010
	Brushed Platinum	36 210 661-06 0010
	Light gold	36 210 661-26 0010
	Brushed Light Gold	36 210 661-27 0010
	Matte Black	36 210 661-33 0010
	Brushed Bronze	36 210 661-42 0010
	Brushed Chrome	36 210 661-93 0010
	Brushed Dark Platinum	36 210 661-99 0010

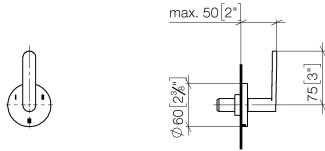


## META Wall mounted three-way diverter - Brushed Champagne (22kt Gold)

---

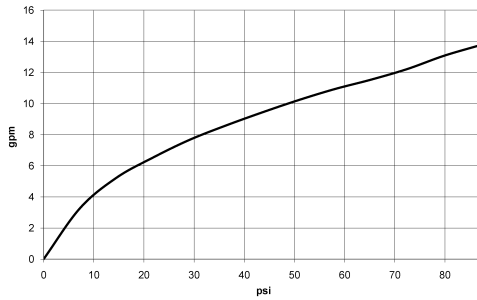
36 210 661 Product version from 4/1/2022

mm [inches]



### Flow rate chart

---



### Codes & Standards

---

ASME A112.18.1

California Energy  
Commission  
(CEC)

cUPC



## META Wall mounted three-way diverter - Brushed Champagne (22kt Gold)

---

36 210 661 Product version from 4/1/2022

### Certificates

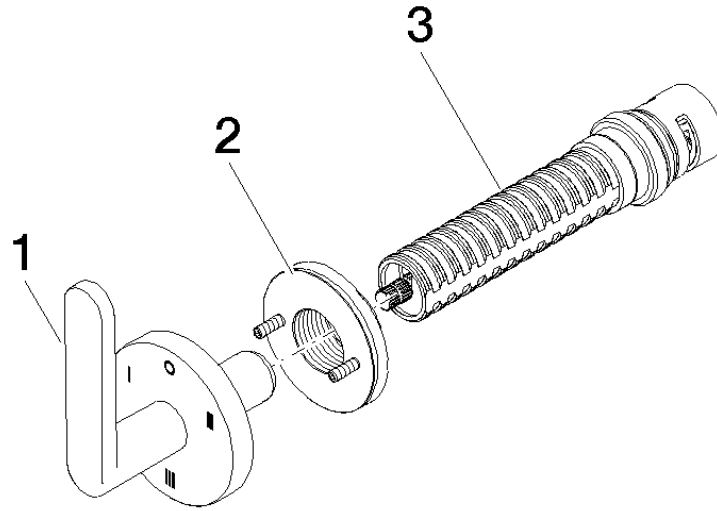
---

IAPMO\_4976 (

**META Wall mounted three-way diverter - Brushed Champagne (22kt Gold)**

36 210 661 Product version from 4/1/2022

Parts for other finishes can be found here: [Chrome](#)



**Spare parts list**

Number	Item Number	Designation	Number of units	Lead time
1	90 20 66 014 03-46	handle	1	30
2	90 21 02 181 00 90	disc	1	2
3	90 90 03 305 10 90	diverter	1	2