



Wall mounted three-way diverter - Brushed Dark Platinum

36 210 740 Product version from 4/1/2022



- Manual diverter
 - Without flange
 - Handle Ø 2-3/8"
 - with integrated shut-off
- Does not allow for simultaneous use of functions**

Does not allow for simultaneous use of functions

| | | |
|-------------------------------------------------------------------------------------|--------------------------------|--------------------|
|  | Brushed Dark Platinum | 36 210 740-99 0010 |
|  | Chrome | 36 210 740-00 0010 |
|  | Brushed Platinum | 36 210 740-06 0010 |
|  | Dark Chrome | 36 210 740-19 0010 |
|  | Light gold | 36 210 740-26 0010 |
|  | Brushed Light Gold | 36 210 740-27 0010 |
|  | Brushed Durabronze (23kt Gold) | 36 210 740-28 0010 |
|  | Matte Black | 36 210 740-33 0010 |
|  | Brushed Bronze | 36 210 740-42 0010 |
|  | Brushed Champagne (22kt Gold) | 36 210 740-46 0010 |
|  | Champagne (22kt Gold) | 36 210 740-47 0010 |

Required article



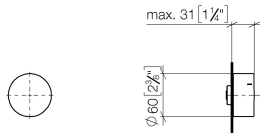
- Wall mounted three-way diverter - 35 203 970-90 0010**
- Max. rough in depth "
 - Min. rough in depth "



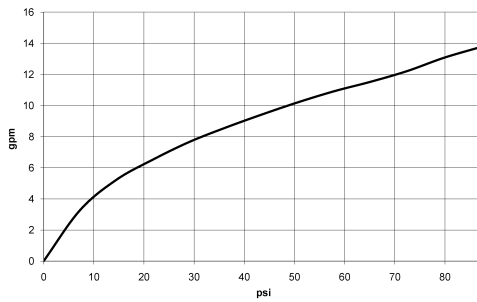
Wall mounted three-way diverter - Brushed Dark Platinum

36 210 740 Product version from 4/1/2022

mm [inches]



Flow rate chart



Codes & Standards

ASME A112.18.1

California Energy
Commission
(CEC)

cUPC



Wall mounted three-way diverter - Brushed Dark Platinum

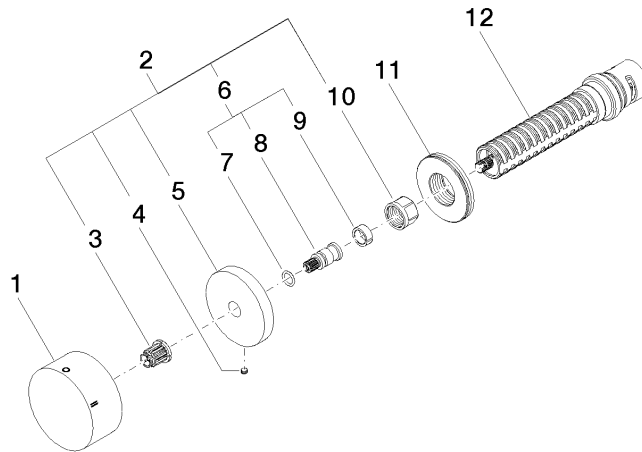
36 210 740 Product version from 4/1/2022

Certificates

IAPMO_4976 (

Wall mounted three-way diverter - Brushed Dark Platinum

36 210 740 Product version from 4/1/2022



Spare parts list

| Number | Item Number | Designation | Number of units | Lead time |
|------------------------------------------------------------------------|--------------------|-------------|-----------------|-----------|
| 1 | 09 20 74 043-99 | handle | 1 | 60 |
| 2 | 04 27 74 004 00-99 | rosette | 1 | 20 |
| 3 | 90 12 12 002 00 90 | fixing cap | 1 | 2 |
| 4 | 09 31 11 055 90 | pin | 1 | 2 |
| 5 | 09 27 74 004-99 | rosette | 1 | 20 |
| 6 | 04 29 06 020 00-00 | spindle | 1 | 10 |
| 7 | 90 14 10 060 00 90 | seal | 1 | 2 |
| 8 | 09 29 06 020-99 | spindle | 1 | - |
| Spare part can no longer be ordered, please order the replacement item | | | | |
| 9 | 90 14 15 020 03 90 | ring | 1 | 2 |
| 10 | 90 23 30 023 00 90 | nut | 1 | 2 |
| 11 | 09 30 01 107 90 | sleeve | 1 | 2 |
| 12 | 90 90 03 305 10 90 | diverter | 1 | 2 |