

SYMETRICS Wall mounted three-way diverter - Chrome

36 210 985 Product version from 4/1/2022



- Manual diverter
- Flange 2-3/8" x 2-3/8"
- with integrated shut-off
(ADA)

Does not allow for simultaneous use of functions

(ADA)

Does not allow for simultaneous use of functions

	Chrome	36 210 985-00 0010
	Brushed Platinum	36 210 985-06 0010
	Brushed Light Gold	36 210 985-27 0010
	Brushed Durabronze (23kt Gold)	36 210 985-28 0010
	Matte Black	36 210 985-33 0010
	Brushed Champagne (22kt Gold)	36 210 985-46 0010
	Champagne (22kt Gold)	36 210 985-47 0010
	Brushed Chrome	36 210 985-93 0010
	Brushed Dark Platinum	36 210 985-99 0010

Required article



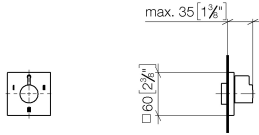
- Wall mounted three-way diverter - 35 203 970-90 0010**
- Max. rough in depth "
 - Min. rough in depth "



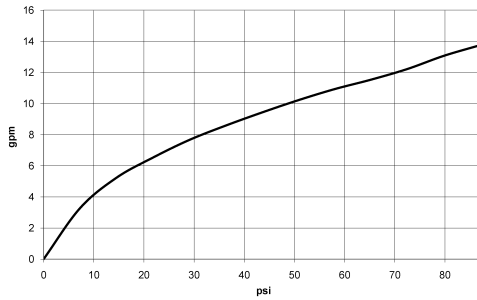
SYMETRICS Wall mounted three-way diverter - Chrome

36 210 985 Product version from 4/1/2022

mm [inches]



Flow rate chart



Codes & Standards

ASME A112.18.1

California Energy
Commission
(CEC)

cUPC



SYMETRICS Wall mounted three-way diverter - Chrome

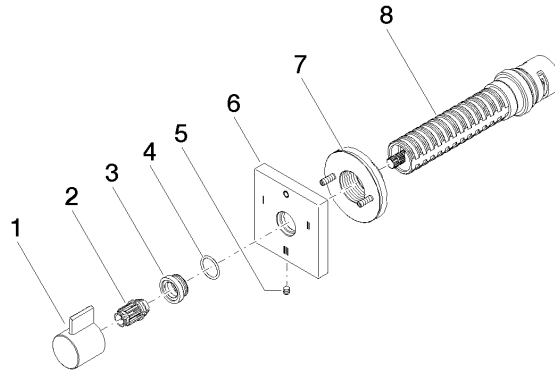
36 210 985 Product version from 4/1/2022

Certificates

IAPMO_4976 (

SYMETRICS Wall mounted three-way diverter - Chrome

36 210 985 Product version from 4/1/2022



Spare parts list

Number	Item Number	Designation	Number of units	Lead time
1	09 20 98 002-00	handle	1	10
2	09 12 12 005 90	fixing cap	1	2
3	09 12 12 043-00	base	1	10
4	09 14 10 017 90	seal	1	2
5	09 31 11 294 90	pin	1	2
6	09 27 98 040-00	rosette	1	60
7	90 21 02 181 00 90	disc	1	2
8	90 90 03 305 10 90	diverter	1	2