



## xTOOL Concealed thermostat without diverter - Brushed Champagne (22kt Gold)

36 416 780 Product version from 1/1/2022



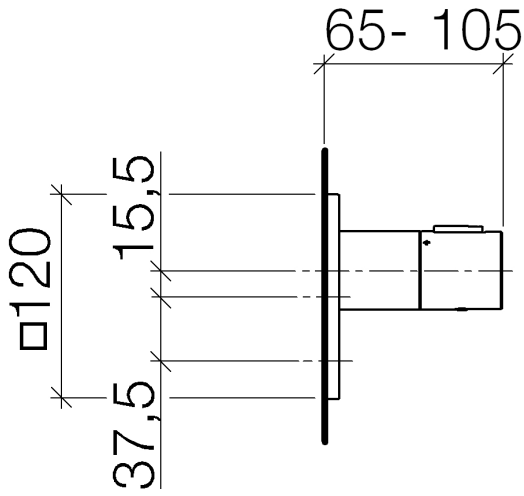
- Cover plate 4-3/4" x 4-3/4"
- Temperature control handle with safety lock at 100 °F/ 38°C

NOTE: Important! Due to minimum rough-in requirements, a framing of 2 x 6 studs may be needed.

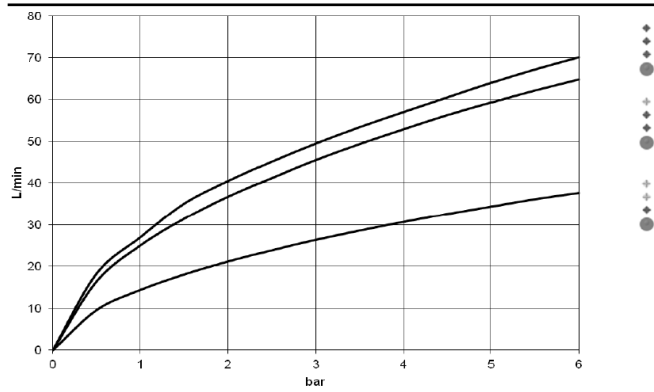
	Brushed Champagne (22kt Gold)	36 416 780-46
	Chrome	36 416 780-00
	Brushed Platinum	36 416 780-06
	Platinum	36 416 780-08
	Dark Chrome	36 416 780-19
	Brushed Durabronze (23kt Gold)	36 416 780-28
	Matte Black	36 416 780-33
	Champagne (22kt Gold)	36 416 780-47
	Cyprus	36 416 780-49
	Brushed Chrome	36 416 780-93
	Brushed Dark Platinum	36 416 780-99

xTOOL Concealed thermostat without diverter - Brushed Champagne (22kt Gold)

36 416 780 Product version from 1/1/2022



Flow rate chart



Codes & Standards

ASME A112.18.1 cUPC



## xTOOL Concealed thermostat without diverter - Brushed Champagne (22kt Gold)

---

36 416 780 Product version from 1/1/2022

Certificates

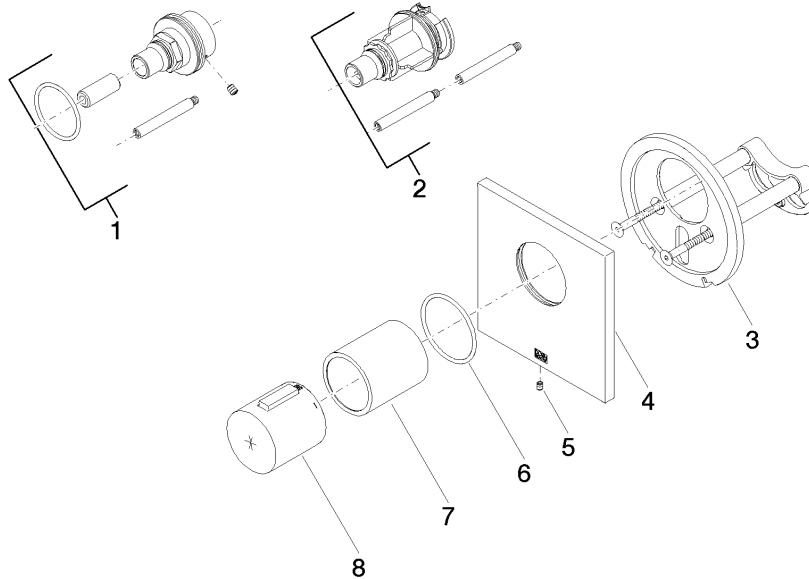
---

IAPMO\_4976 (

**xTOOL Concealed thermostat without diverter - Brushed Champagne (22kt Gold)**

36 416 780 Product version from 1/1/2022

Parts for other finishes can be found here: [Chrome](#)



**Spare parts list**

Number	Item Number	Designation	Number of units	Lead time
1	12 177 970 90	Extension 1-1/8" -	1	2
2	12 178 970 90	Extension 1-3/4" -	1	2
3	90 11 01 196 00 90	base	1	2
4	90 11 02 533 00-46	cover	1	30
5	09 31 11 044 90	pin	1	2
6	90 14 10 049 00 90	seal	1	2
7	90 21 02 112 00-46	sleeve	1	30
8	90 17 33 020 00-46	handle	1	30