

xTOOL Concealed thermostat without diverter - Brushed Platinum

36 416 979 Product version from 9/1/2022



- Cover plate Ø 4-7/8"
- Temperature control handle with safety lock at 100 °F/ 38°C

	Brushed Platinum	36 416 979-06
	Chrome	36 416 979-00
	Platinum	36 416 979-08
	Durabronze (23kt Gold)	36 416 979-09
	Dark Chrome	36 416 979-19
	Light gold	36 416 979-26
	Brushed Light Gold	36 416 979-27
	Matte Black	36 416 979-33
	Brushed Bronze	36 416 979-42
	Brushed Champagne (22kt Gold)	36 416 979-46
	Champagne (22kt Gold)	36 416 979-47
	Cyprus	36 416 979-49
	Brushed Chrome	36 416 979-93
	Brushed Dark Platinum	36 416 979-99

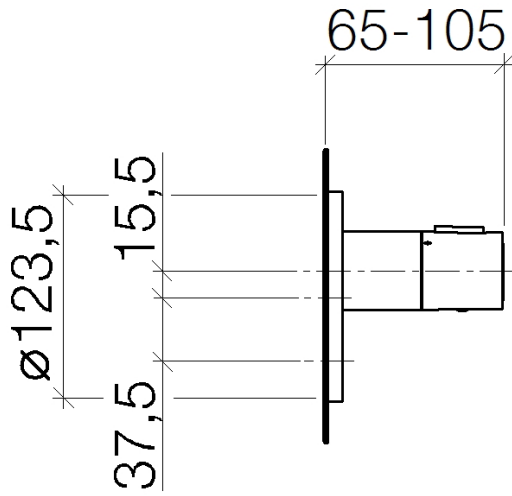
Required article



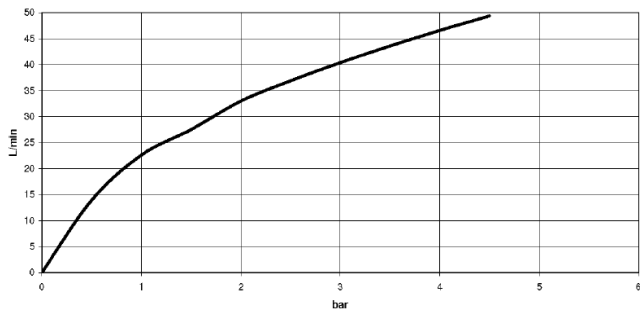
xTOOL Concealed thermostat rough - 35 517 970-90
 0010
 •Min. rough in depth "
 •Max. rough in depth "

xTOOL Concealed thermostat without diverter - Brushed Platinum

36 416 979 Product version from 9/1/2022



Flow rate chart



Codes & Standards

ASME A112.18.1 cUPC



xTOOL Concealed thermostat without diverter - Brushed Platinum

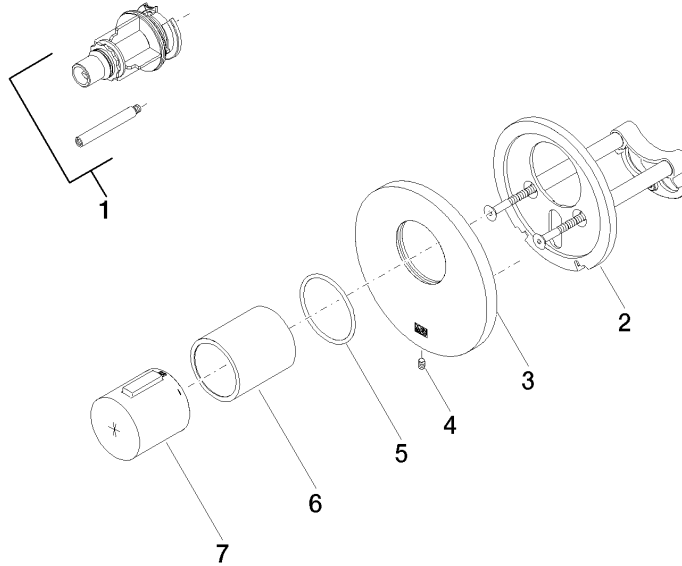
36 416 979 Product version from 9/1/2022

Certificates

IAPMO_4976 (

xTOOL Concealed thermostat without diverter - Brushed Platinum

36 416 979 Product version from 9/1/2022



Spare parts list

Number	Item Number	Designation	Number of units	Lead time
1	12 178 970 90	Extension 1-3/4" -	1	2
2	90 11 01 196 00 90	base	1	2
3	09 11 02 537-06	cover	1	10
4	09 31 11 048 90	pin	1	2
5	90 14 10 049 00 90	seal	1	2
6	90 21 02 112 00-06	sleeve	1	10
7	90 17 33 020 00-06	handle	1	10