



# WATER FAN horizontal Body spray - Chrome

36 512 979 Product version from 10/1/2023



- Pressurized cascade stream
- Horizontal jet
- Cover plate 9-1/2" x 2-3/8"
- Adjustable jet
- 1/2" connection
- Water flow rate limited to max. 1.8 gpm
- This product reduces water consumption by 28% (compared to requirements of EPA Act '92)
- This product contributes to meeting the requirements of the LEED® Green Building Rating
- This product can help a building meet the requirements of Green Building Rating Systems, e.g. LEED®, BREEAM®, DGNB

	Chrome	36 512 979-00 0010
	Brushed Platinum	36 512 979-06 0010
	Platinum	36 512 979-08 0010
	Dark Chrome	36 512 979-19 0010
	Light gold	36 512 979-26 0010
	Brushed Light Gold	36 512 979-27 0010
	Brushed Durabrass (23kt Gold)	36 512 979-28 0010
	Matte Black	36 512 979-33 0010
	Brushed Bronze	36 512 979-42 0010
	Brushed Champagne (22kt Gold)	36 512 979-46 0010
	Champagne (22kt Gold)	36 512 979-47 0010
	Brushed Chrome	36 512 979-93 0010
	Brushed Dark Platinum	36 512 979-99 0010

## Required article



- Rough -**
- Max. rough in depth "
  - Min. rough in depth "

35 206 970-90 0010

## Recommended article



**xGRID Mounting bracket for drywall construction -**

12 340 970 90

## Required article



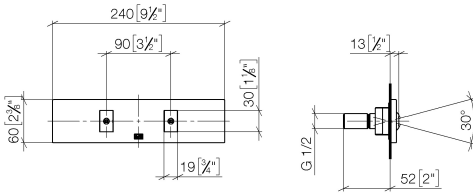
**xGRID Installation track 21.85" -** 12 360 970 90



# WATER FAN horizontal Body spray - Chrome

36 512 979 Product version from 10/1/2023

mm [inches]



## Flow rate chart



## Codes & Standards

ASME A112.18.1

ASME  
A112.18.1/CSA  
B125.1

California Energy  
Commission  
(CEC)

cUPC



## WATER FAN horizontal Body spray - Chrome

---

36 512 979 Product version from 10/1/2023

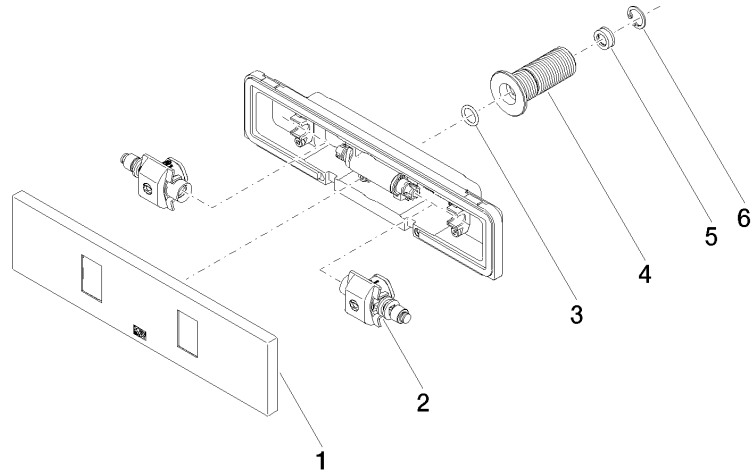
### Certificates

---

IAPMO\_4976 (

## WATER FAN horizontal Body spray - Chrome

36 512 979 Product version from 10/1/2023



### Spare parts list

Number	Item Number	Designation	Number of units	Lead time
1	90 27 99 002 00-00	insert	1	10
2	90 31 10 012 00 90	insert	1	2
3	09 14 10 003 90	seal	1	2
4	09 24 05 015 90	nipple	1	2
5	09 23 01 165 90	flow reducer	1	2
6	09 16 01 014 90	ring	1	2