

WATER BAR Body spray FlowReduce - Chrome

36 517 979 Product version from 5/16/2020



- HORIZONTAL RAIN, flow rate max. 1.6 gpm (at 3 bar)
- Descaling system
- Cover plate 9-1/2" x 2-3/8"
- 1/2" connection
- This product can help a building meet the requirements of Green Building Rating Systems, e.g. LEED®, BREEAM®, DGNB

	Chrome	36 517 979-00
	Brushed Platinum	36 517 979-06
	Platinum	36 517 979-08
	Dark Chrome	36 517 979-19
	Light gold	36 517 979-26
	Brushed Light Gold	36 517 979-27
	Brushed Durabrass (23kt Gold)	36 517 979-28
	Matte Black	36 517 979-33
	Brushed Bronze	36 517 979-42
	Brushed Champagne (22kt Gold)	36 517 979-46
	Champagne (22kt Gold)	36 517 979-47
	Brushed Chrome	36 517 979-93
	Brushed Dark Platinum	36 517 979-99

Required article



- Rough -**
- Max. rough in depth "
 - Min. rough in depth "

35 206 970-90
0010

Recommended article



xGRID Mounting bracket for drywall construction -

12 340 970 90

Required article

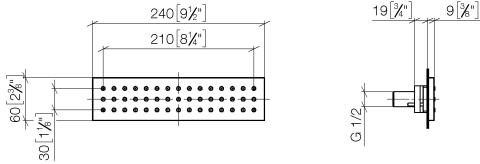


xGRID Installation track 21.85" - 12 360 970 90

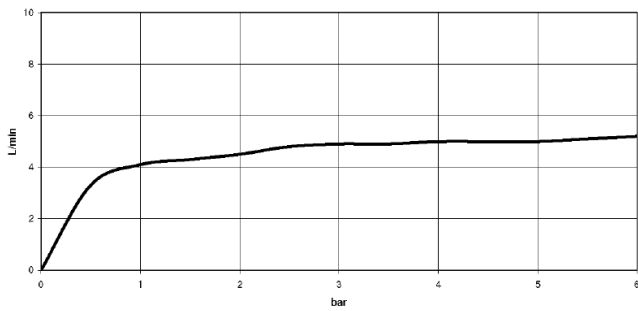
WATER BAR Body spray FlowReduce - Chrome

36 517 979 Product version from 5/16/2020

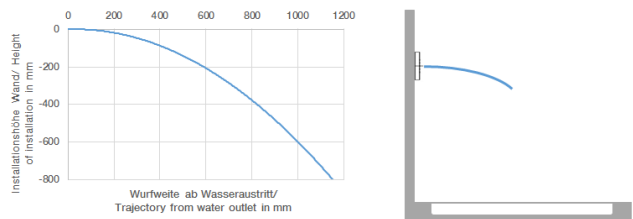
mm [inches]



Flow rate chart



Trajectory length diagram



Codes & Standards

ASME
A112.18.1/CSA
B125.1

Scottish Water
Byelaws

California Energy
Commission
(CEC)

UK Water Supply
Regulations

DIN 4109

Ü-Zeichen

ISO 3822



WATER BAR Body spray FlowReduce - Chrome

36 517 979 Product version from 5/16/2020

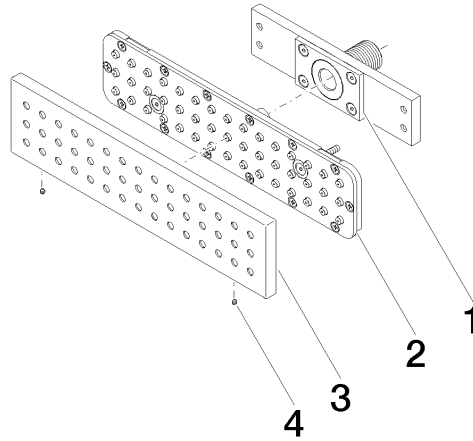
Certificates

WRAS_1304

LGA_19

WATER BAR Body spray FlowReduce - Chrome

36 517 979 Product version from 5/16/2020



Spare parts list

Number	Item Number	Designation	Number of units	Lead time
1	90 11 02 137 00 90	connection	1	2
2	90 11 02 332 00-00	insert	1	10
3	09 27 99 001-00	rosette	1	10
4	09 31 11 081 90	pin	1	2