

**VAIA Volume Control clockwise-closing 1/2" - Brushed Platinum**


36 607 819



- Flange diameter 2-3/8"
  - Ceramic disc cartridge  
**(ADA)**
- (ADA)

	Brushed Platinum	36 607 819-06
	Chrome	36 607 819-00
	Platinum	36 607 819-08
	Dark Chrome	36 607 819-19
	Brushed Durabronze (23kt Gold)	36 607 819-28
	Brushed Bronze	36 607 819-42
	Brushed Champagne (22kt Gold)	36 607 819-46
	Champagne (22kt Gold)	36 607 819-47
	Brushed Dark Platinum	36 607 819-99

**Required article**

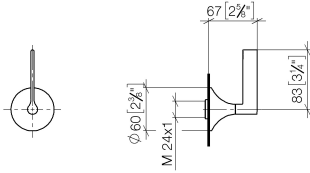
	<b>Rough for volume control 1/2" -</b> <ul style="list-style-type: none"> <li>•Max. rough in depth "</li> <li>•Min. rough in depth "</li> </ul>	35 607 970-90 0010
---	--	-----------------------

VAIA Volume Control clockwise-closing 1/2" - Brushed Platinum

---

36 607 819

mm [inches]



Codes & Standards

---

ADA	ASME A112.18.1	ASME A112.18.1/CSA B125.1	cUPC
DIN 4109	EN 1111	EN 200	ISO 3822
Scottish Water Byelaws	UK Water Supply Regulations	Ü-Zeichen	

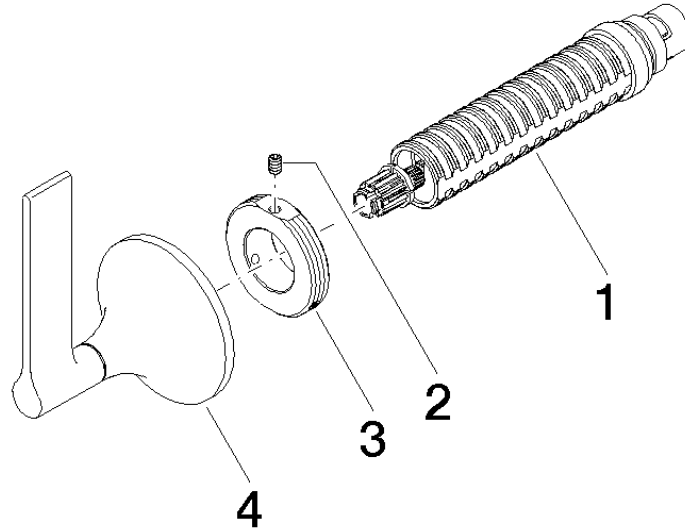
Certificates

---

DVGW_DW- 6501DN0	WRAS_2011	LGA_29	WRAS_2010	DVGW_DW- 6512DN0
LGA_29	IAPMO_4976 (			

VAIA Volume Control clockwise-closing 1/2" - Brushed Platinum

36 607 819



Spare parts list

Number	Item Number	Designation	Number of units	Lead time
1	90 90 03 143 00 90	top	1	2
2	09 31 11 008 90	pin	1	2
3	09 21 02 163 90	disc	1	2
4	90 20 80 015 00-06	handle	1	10