

VAIA Volume Control clockwise-closing 1/2" - Platinum

36 607 819



- Flange diameter 2-3/8"
 - Ceramic disc cartridge
(ADA)
- (ADA)

	Platinum	36 607 819-08
	Chrome	36 607 819-00
	Brushed Platinum	36 607 819-06
	Dark Chrome	36 607 819-19
	Brushed Durabronze (23kt Gold)	36 607 819-28
	Brushed Bronze	36 607 819-42
	Brushed Champagne (22kt Gold)	36 607 819-46
	Champagne (22kt Gold)	36 607 819-47
	Brushed Dark Platinum	36 607 819-99

Required article

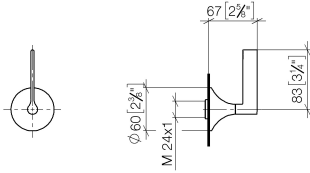


- Rough for volume control 1/2" -** 35 607 970-90
 •Max. rough in depth " 0010
 •Min. rough in depth "

VAIA Volume Control clockwise-closing 1/2" - Platinum

36 607 819

mm [inches]



Codes & Standards

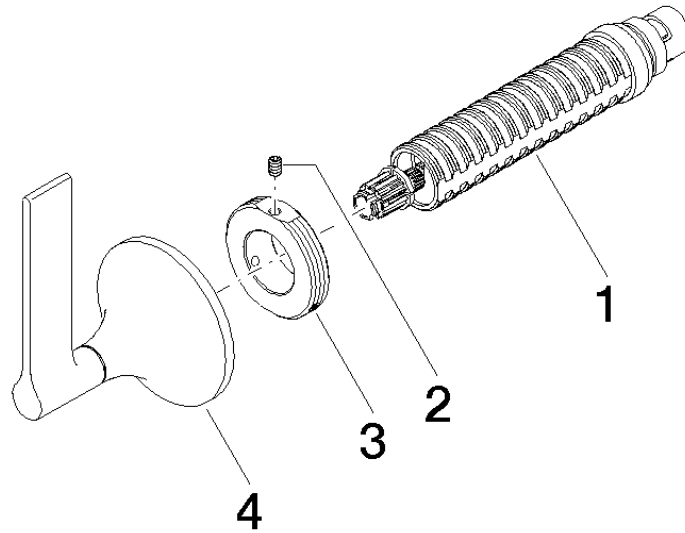
ADA	ASME A112.18.1	ASME A112.18.1/CSA B125.1	cUPC
DIN 4109	EN 1111	EN 200	ISO 3822
Scottish Water Byelaws	UK Water Supply Regulations	Ü-Zeichen	

Certificates

DVGW_DW- 6501DNO	WRAS_2011	LGA_29	WRAS_2010	DVGW_DW- 6512DNO
LGA_29	IAPMO_4976 (

VAIA Volume Control clockwise-closing 1/2" - Platinum

36 607 819



Spare parts list

Number	Item Number	Designation	Number of units	Lead time
1	90 90 03 143 00 90	top	1	2
2	09 31 11 008 90	pin	1	2
3	09 21 02 163 90	disc	1	2
4	90 20 80 015 00-08	handle	1	-

Spare part can no longer be ordered, please order the replacement item