



CYO Wall-mounted three-hole lavatory mixer without drain - Brushed Durabron (23kt Gold)

36 707 811



- 6-1/4" Projection
 - Rigid spout
 - Rectangular aerated stream
 - Valve hole diameter 1-1/2"
 - Spout hole diameter 1-1/2"
 - Handle Ø 2-3/8"
 - Water flow rate limited to max. 1.2 gpm
 - lead-free
 - This product can help a building meet the requirements of Green Building Rating Systems, e.g. LEED®, BREEAM®, DGNB
- NOTE: Handle inserts are sold separately!**

NOTE: Handle inserts are sold separately!

	Brushed Durabron (23kt Gold)	36 707 811-28
	Chrome	36 707 811-00
	Brushed Platinum	36 707 811-06
	Dark Chrome	36 707 811-19
	Platinum / Brushed Platinum	36 707 811-36
	Durabron / Brushed Durabron (23kt Gold)	36 707 811-38
	Brushed Dark Platinum	36 707 811-99

Required article



- Rough for wall-mounted faucet , spout in center -** 35 700 970-90 0010
- Max. rough in depth "
 - Min. rough in depth "

Required article

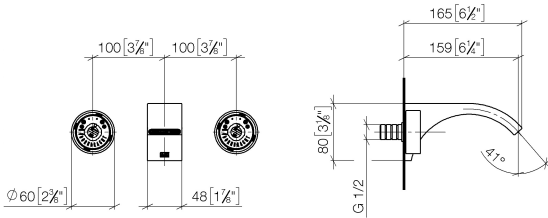


- Rough for wall-mounted faucet flexible positioning -** 35 720 970-90 0010
- Max. rough in depth "
 - Min. rough in depth "

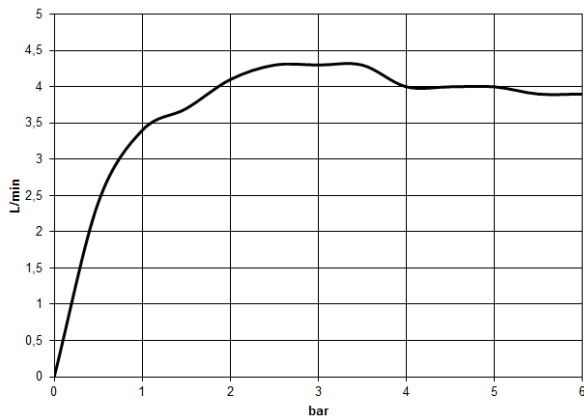


CYO Wall-mounted three-hole lavatory mixer without drain - Brushed Durabronz (23kt Gold)

36 707 811
mm [inches]



Flow rate chart



Codes & Standards

California Energy Commission (CEC)	DIN 4109	ISO 3822	NSF372
NSF61	Scottish Water Byelaws	UK Water Supply Regulations	Ü-Zeichen



CYO Wall-mounted three-hole lavatory mixer without drain - Brushed
Durabross (23kt Gold)

36 707 811

Certificates

WRAS_2111

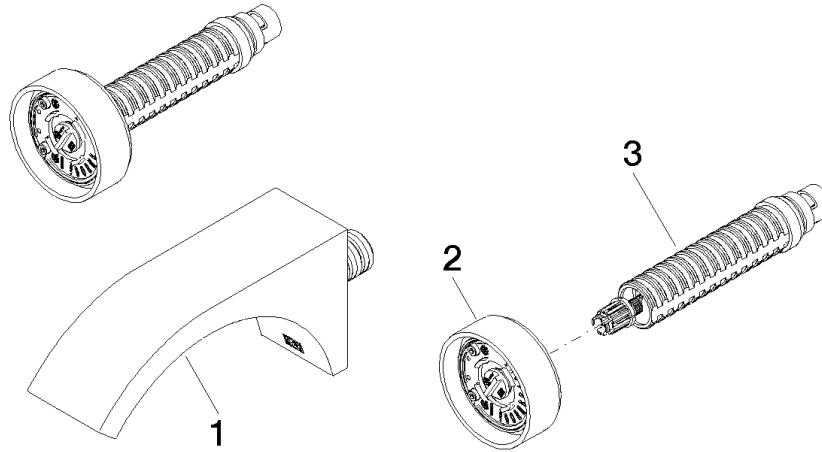
IAPMO_N-4976

IAPMO_6397

LGA_38

CYO Wall-mounted three-hole lavatory mixer without drain - Brushed Durabronz (23kt Gold)

36 707 811



Spare parts list

Number	Item Number	Designation	Number of units	Lead time
1	13 800 811-28	CYO Lavatory spout, wall-mounted without drain - Brushed Durabronz (23kt Gold)	1	20
2	90 18 40 290 00-28	handle	1	20
3	90 90 03 171 01 90	top	1	2