

IMO Wall-mounted single-lever mixer without drain - Chrome

36 860 670 Product version from 4/1/2024



- 5-1/2" Projection
- Rigid spout
- Rectangular aerated stream
- Spout hole diameter 1-1/2"
- Hole diameter single-lever mixer 2-1/4"
- 3-1/8" x 2-3/8" flange for spout
- Flange for mixer 3-1/8" x 3-1/8"
- Water flow rate limited to max. 1.2 gpm
- lead-free
- This product can help a building meet the requirements of Green Building Rating Systems, e.g. LEED®, BREEAM®, DGNB
(ADA)

(ADA)

Required article



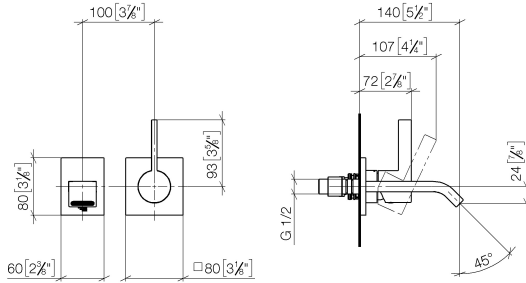
- Rough for wall-mounted faucet -** 35 860 970-90
0010
- Max. rough in depth "
 - Min. rough in depth "
 - Rough can be rotated to position the lever on top or to the left of the spout.



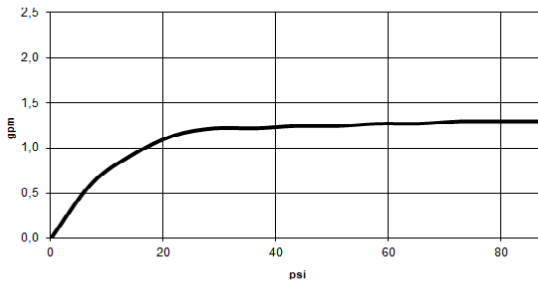
IMO Wall-mounted single-lever mixer without drain - Chrome

36 860 670 Product version from 4/1/2024

mm [inches]



Flow rate chart



Codes & Standards

| | | | |
|--------|----------------|---------------------------|------------------------------------|
| ADA | ASME A112.18.1 | ASME A112.18.1/CSA B125.1 | California Energy Commission (CEC) |
| cUPC | EPA WaterSense | NSF/ANSI 372 | NSF/ANSI/CAN 61 |
| NSF372 | NSF61 | Water Sense | WaterSense |





IMO Wall-mounted single-lever mixer without drain - Chrome

36 860 670 Product version from 4/1/2024

Certificates

IAPMO_N-4976

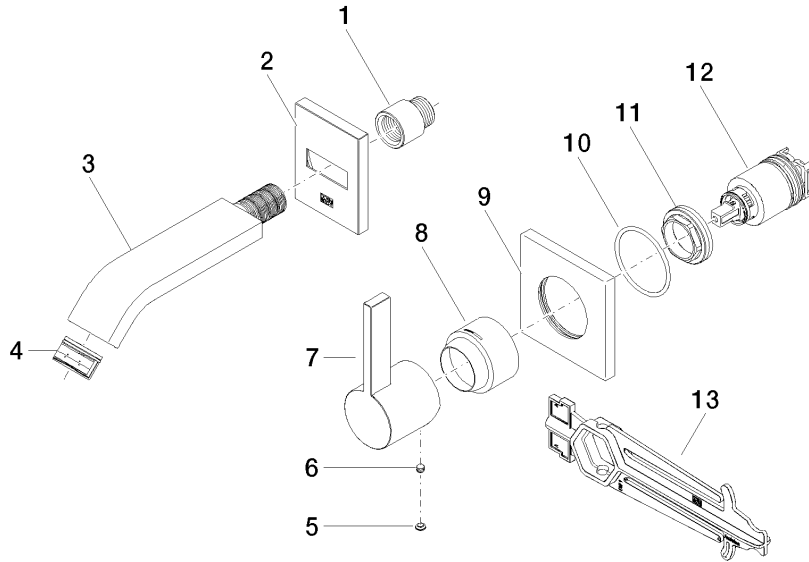
IAPMO_6397

IAPMO_8834

IAPMO_4976 (

IMO Wall-mounted single-lever mixer without drain - Chrome

36 860 670 Product version from 4/1/2024



Spare parts list

| Number | Item Number | Designation | Number of units | Lead time |
|--------|--------------------|-------------|-----------------|-----------|
| 1 | 09 24 03 072 10 90 | nipple | 1 | 2 |
| 2 | 90 27 67 005 00-00 | rosette | 1 | 10 |
| 3 | 04 28 22 242 00-00 | spout | 1 | 10 |
| 4 | 90 29 03 118 00 90 | aerator | 1 | 2 |
| 5 | 90 31 20 087 00-00 | plug | 1 | 10 |
| 6 | 90 31 11 112 00 90 | pin | 1 | 2 |
| 7 | 09 20 67 004-00 | handle | 1 | 10 |
| 8 | 09 11 02 530-00 | cover | 1 | 10 |
| 9 | 09 27 78 039-00 | rosette | 1 | 10 |
| 10 | 90 14 10 049 00 90 | seal | 1 | 2 |
| 11 | 09 24 04 105 90 | nut | 1 | 2 |
| 12 | 90 15 05 046 02 90 | cartridge | 1 | 2 |
| 13 | 90 30 09 064 00 90 | key | 1 | 2 |