



MEM Wall-mounted single-lever mixer without drain - Dark Chrome

36 860 782



- 7" Projection
- Rigid spout
- Rectangular aerated stream
- Spout hole diameter 1-1/2"
- Hole diameter single-lever mixer 2-1/4"
- 3-1/8" x 2-3/8" flange for spout
- Flange for mixer 3-1/8" x 3-1/8"
- Water flow rate limited to max. 1.2 gpm
- lead-free
- This product can help a building meet the requirements of Green Building Rating Systems, e.g. LEED®, BREEAM®, DGNB

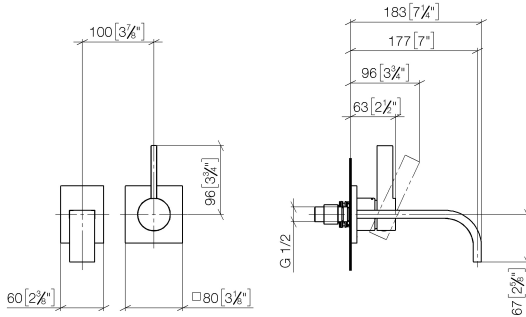
(ADA)



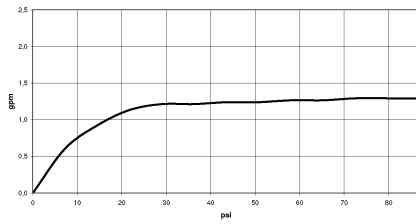
MEM Wall-mounted single-lever mixer without drain - Dark Chrome

36 860 782

mm [inches]



Flow rate chart



Codes & Standards

ADA	ASME A112.18.1	ASME A112.18.1/CSA B125.1	California Energy Commission (CEC)
cUPC	NSF/ANSI 372	NSF/ANSI/CAN 61	NSF372
NSF61			



MEM Wall-mounted single-lever mixer without drain - Dark Chrome

36 860 782

Certificates

IAPMO_N-4976

IAPMO_6397

IAPMO_4976 (

MEM Wall-mounted single-lever mixer without drain - Dark Chrome

36 860 782

