

MEM Wall-mounted single-lever mixer without drain - Brushed Dark Platinum

36 860 782



- 7" Projection
 - Rigid spout
 - Rectangular aerated stream
 - Spout hole diameter 1-1/2"
 - Hole diameter single-lever mixer 2-1/4"
 - 3-1/8" x 2-3/8" flange for spout
 - Flange for mixer 3-1/8" x 3-1/8"
 - Water flow rate limited to max. 1.2 gpm
 - lead-free
 - This product can help a building meet the requirements of Green Building Rating Systems, e.g. LEED®, BREEAM®, DGNB
- (ADA)**

(ADA)

Required article



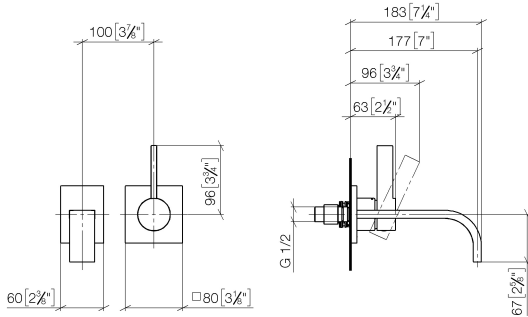
- Rough for wall-mounted faucet -** 35 860 970-90
0010
- Max. rough in depth "
 - Min. rough in depth "
 - Rough can be rotated to position the lever on top or to the left of the spout.



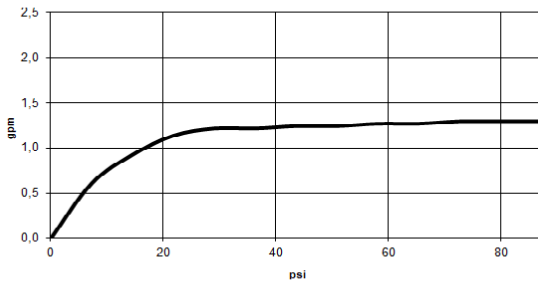
MEM Wall-mounted single-lever mixer without drain - Brushed Dark Platinum

36 860 782

mm [inches]



Flow rate chart



Codes & Standards

ADA	ASME A112.18.1	ASME A112.18.1/CSA B125.1	California Energy Commission (CEC)
cUPC	EPA WaterSense	NSF/ANSI 372	NSF/ANSI/CAN 61
NSF372	NSF61	Water Sense	WaterSense





MEM Wall-mounted single-lever mixer without drain - Brushed Dark Platinum

36 860 782

Certificates

IAPMO_N-4976

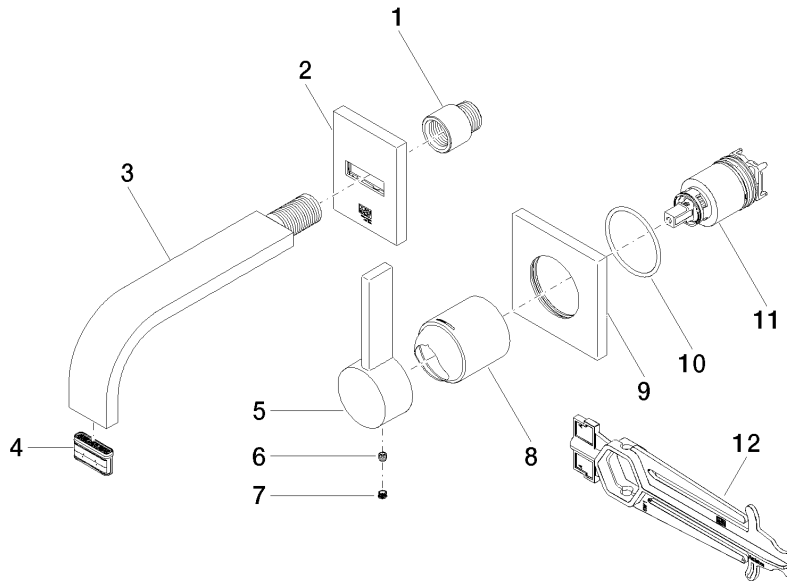
IAPMO_6397

IAPMO_8834

IAPMO_4976 (

MEM Wall-mounted single-lever mixer without drain - Brushed Dark Platinum

36 860 782



Spare parts list

Number	Item Number	Designation	Number of units	Lead time
1	09 24 03 072 10 90	nipple	1	2
2	90 27 78 055 00-99	rosette	1	20
3	04 28 22 150 10-99	spout	1	20
4	90 29 03 118 00 90	aerator	1	2
5	09 20 78 058-99	handle	1	20
6	90 31 11 030 00 90	pin	1	2
7	90 31 20 109 00 90	plug	1	2
8	09 11 02 288-99	cover	1	20
9	09 27 78 039-99	rosette	1	20
10	90 14 10 049 00 90	seal	1	2
11	90 15 05 064 01 90	cartridge	1	2
12	90 30 09 064 00 90	key	1	2