




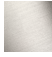



CYO Wall-mounted single-lever mixer without drain - Chrome

36 860 811



- 6-1/4" Projection
- Rigid spout
- Rectangular aerated stream
- Spout hole diameter 1-1/2"
- Hole diameter single-lever mixer 2-1/4"
- Flange for mixer 3-1/8" x 3-1/8"
- Water flow rate limited to max. 1.2 gpm
- lead-free
- This product can help a building meet the requirements of Green Building Rating Systems, e.g. LEED®, BREEAM®, DGNB **(ADA)**

(ADA)

	Chrome	36 860 811-00
	Brushed Platinum	36 860 811-06
	Dark Chrome	36 860 811-19
	Brushed Durabronze (23kt Gold)	36 860 811-28
	Brushed Dark Platinum	36 860 811-99

Required article



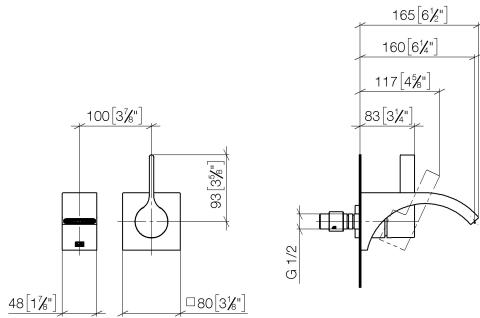
- Rough for wall-mounted faucet -** 35 860 970-90
0010
- Max. rough in depth "
 - Min. rough in depth "
 - Rough can be rotated to position the lever on top or to the left of the spout.



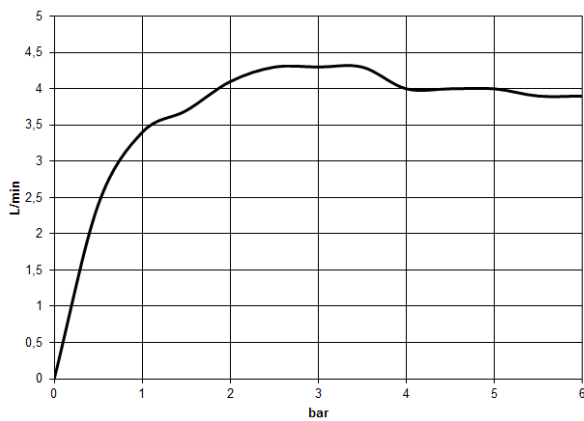
CYO Wall-mounted single-lever mixer without drain - Chrome

36 860 811

mm [inches]



Flow rate chart



Codes & Standards

ASME A112.18.1	California Energy Commission (CEC)	cUPC	DIN 4109
EPA WaterSense	ISO 3822	NSF372	NSF61
Scottish Water Byelaws	UK Water Supply Regulations	Ü-Zeichen	Water Sense

WaterSense





CYO Wall-mounted single-lever mixer without drain - Chrome

36 860 811

Certificates

IAPMO_N-4976

WRAS_2107

IAPMO_6397

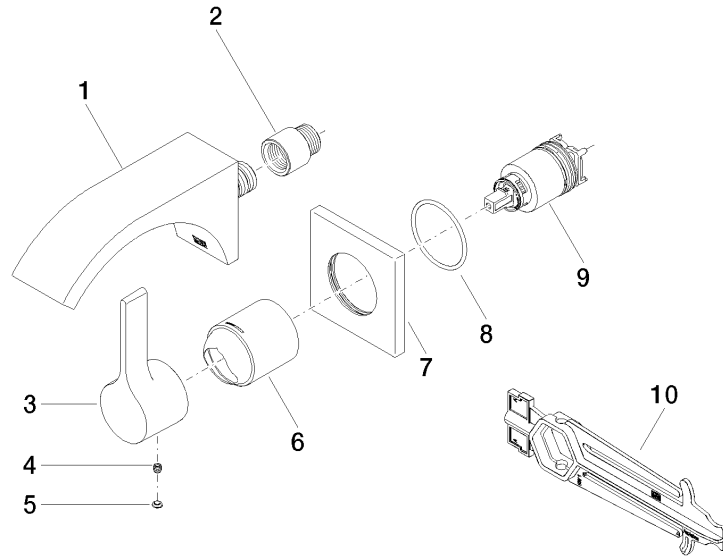
LGA_38

IAPMO_8834

IAPMO_4976 (

CYO Wall-mounted single-lever mixer without drain - Chrome

36 860 811



Spare parts list

Number	Item Number	Designation	Number of units	Lead time
1	13 800 811-00	CYO Lavatory spout, wall-mounted without drain - Chrome	1	10
2	09 24 03 072 10 90	nipple	1	2
3	09 20 80 021-00	handle	1	10
4	90 31 11 030 00 90	pin	1	2
5	90 31 20 087 00-00	plug	1	10
6	09 11 02 288-00	cover	1	10
7	09 27 78 039-00	rosette	1	10
8	90 14 10 049 00 90	seal	1	2
9	90 15 05 064 01 90	cartridge	1	2
10	90 30 09 064 00 90	key	1	2