








## CYO Wall-mounted single-lever mixer without drain - Brushed Durabron (23kt Gold)

36 860 811



- 6-1/4" Projection
  - Rigid spout
  - Rectangular aerated stream
  - Spout hole diameter 1-1/2"
  - Hole diameter single-lever mixer 2-1/4"
  - Flange for mixer 3-1/8" x 3-1/8"
  - Water flow rate limited to max. 1.2 gpm
  - lead-free
  - This product can help a building meet the requirements of Green Building Rating Systems, e.g. LEED®, BREEAM®, DGNB
- (ADA)**

(ADA)

	Brushed Durabron (23kt Gold)	36 860 811-28
	Chrome	36 860 811-00
	Brushed Platinum	36 860 811-06
	Dark Chrome	36 860 811-19
	Brushed Dark Platinum	36 860 811-99

### Required article

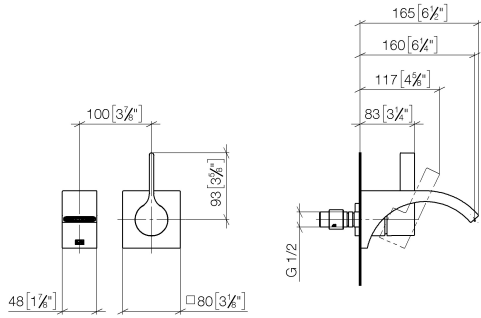


- Rough for wall-mounted faucet -** 35 860 970-90  
0010
- Max. rough in depth "
  - Min. rough in depth "
  - Rough can be rotated to position the lever on top or to the left of the spout.

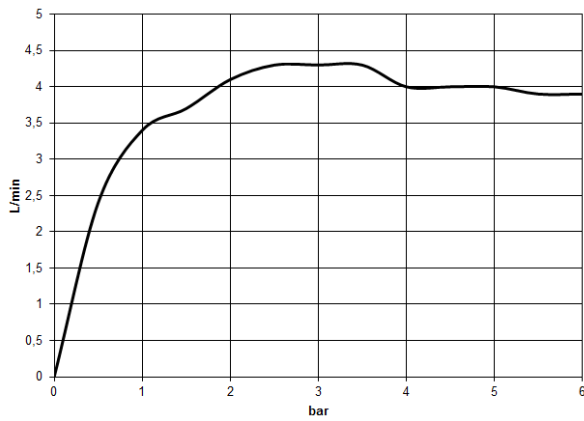


CYO Wall-mounted single-lever mixer without drain - Brushed Durabronz (23kt Gold)

36 860 811  
mm [inches]



Flow rate chart



Codes & Standards

California Energy Commission (CEC)	DIN 4109	ISO 3822	NSF372
NSF61	Scottish Water Byelaws	UK Water Supply Regulations	Ü-Zeichen



CYO Wall-mounted single-lever mixer without drain - Brushed Durabross (23kt Gold)

---

36 860 811

Certificates

---

IAPMO\_N-4976

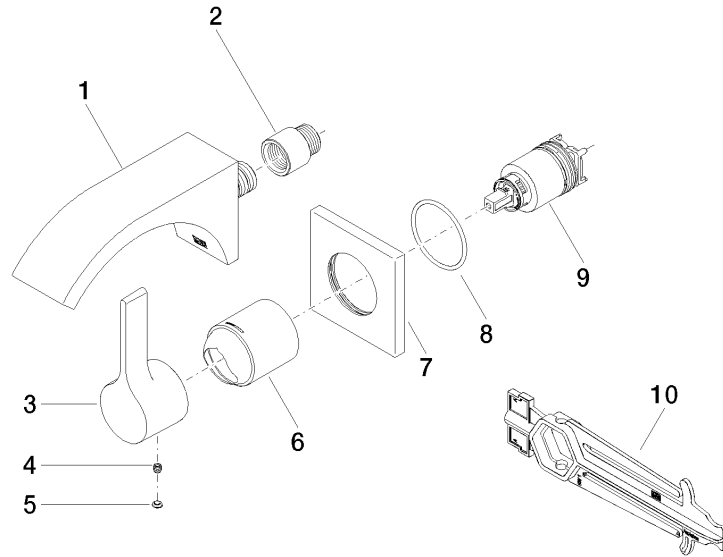
WRAS\_2107

IAPMO\_6397

LGA\_38

**CYO Wall-mounted single-lever mixer without drain - Brushed Durabross (23kt Gold)**

36 860 811



**Spare parts list**

Number	Item Number	Designation	Number of units	Lead time
1	13 800 811-28	CYO Lavatory spout, wall-mounted without drain - Brushed Durabross (23kt Gold)	1	20
2	09 24 03 072 10 90	nipple	1	2
3	09 20 80 021-28	handle	1	20
4	90 31 11 030 00 90	pin	1	2
5	90 31 20 087 00-28	plug	1	20
6	09 11 02 288-28	cover	1	20
7	09 27 78 039-28	rosette	1	20
8	90 14 10 049 00 90	seal	1	2
9	90 15 05 064 01 90	cartridge	1	2
10	90 30 09 064 00 90	key	1	2