

MEM Wall-mounted single-lever mixer with cover plate without drain - Platinum

36 865 782



- 9-3/4" Projection
 - Rigid spout
 - Rectangular aerated stream
 - Spout hole diameter 1-1/2"
 - Hole diameter single-lever mixer 2-1/4"
 - Cover plate 3-1/8" x 7-1/8"
 - Water flow rate limited to max. 1.2 gpm
 - lead-free
 - This product can help a building meet the requirements of Green Building Rating Systems, e.g. LEED®, BREEAM®, DGNB
- (ADA)**

(ADA)

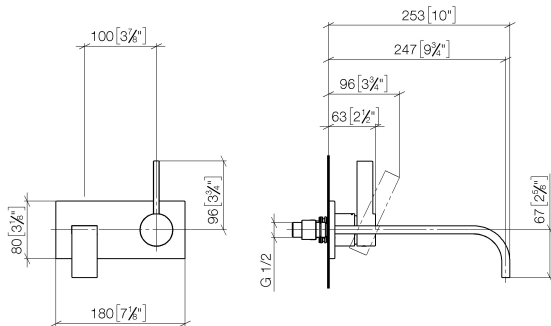
Required article



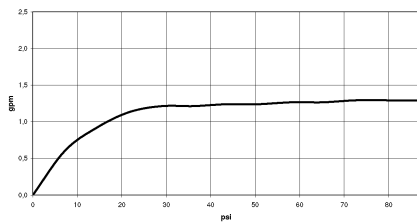
- | | |
|---|---------------|
| Rough for wall-mounted faucet - | 35 860 970-90 |
| ●Max. rough in depth " | 0010 |
| ●Min. rough in depth " | |
| ●Rough can be rotated to position the lever on top or to the left of the spout. | |

MEM Wall-mounted single-lever mixer with cover plate without drain - Platinum

36 865 782



Flow rate chart



Codes & Standards

ADA	ASME A112.18.1	ASME A112.18.1/CSA B125.1	California Energy Commission (CEC)
cUPC	EPA WaterSense	NSF/ANSI 372	NSF/ANSI/CAN 61
NSF372	NSF61	Water Sense	WaterSense





MEM Wall-mounted single-lever mixer with cover plate without drain - Platinum

36 865 782

Certificates

IAPMO_N-4976

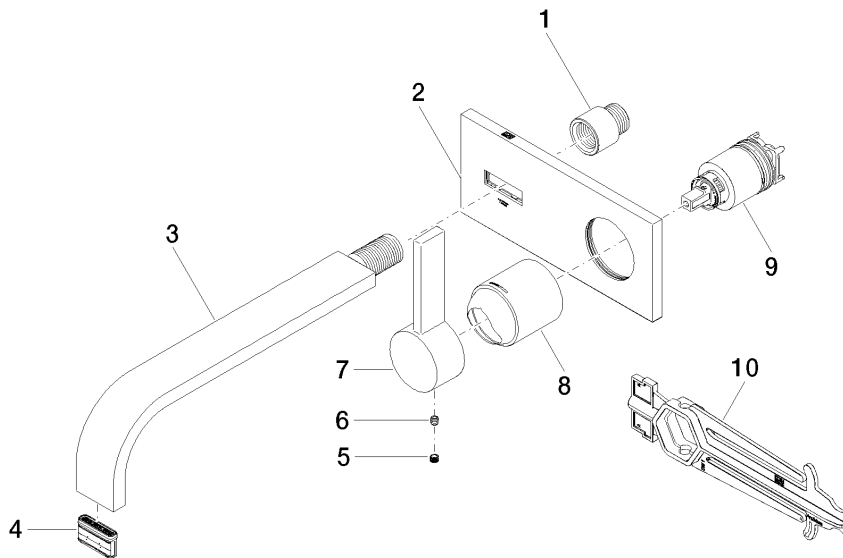
IAPMO_6397

IAPMO_8834

IAPMO_4976 (

MEM Wall-mounted single-lever mixer with cover plate without drain - Platinum

36 865 782



Spare parts list

Number	Item Number	Designation	Number of units	Lead time
1	09 24 03 072 10 90	nipple	1	2
2	90 11 01 170 00-08	plate	1	40
3	04 28 22 148 10-08	spout	1	40
4	90 29 03 118 00 90	aerator	1	2
5	90 31 20 109 00 90	plug	1	2
6	90 31 11 030 00 90	pin	1	2
7	09 20 78 058-08	handle	1	40
8	09 11 02 288-08	cover	1	40
9	90 15 05 064 01 90	cartridge	1	2
10	90 30 09 064 00 90	key	1	2