



META Wall-mounted single-lever mixer without drain - Brushed Light Gold

36 867 660 Product version from 7/1/2023



- 4-7/8" Projection
- Rigid spout
- Round aerated stream
- Spout hole diameter 1-3/8"
- Hole diameter single-lever mixer 2-1/4"
- Mixer with flange Ø 3-1/8"
- 2-1/8" diameter flange for spout
- Water flow rate limited to max. 1.2 gpm
- lead-free
- This product can help a building meet the requirements of Green Building Rating Systems, e.g. LEED®, BREEAM®, DGNB **(ADA)**

(ADA)

	Brushed Light Gold	36 867 660-27 0010
	Chrome	36 867 660-00 0010
	Brushed Platinum	36 867 660-06 0010
	Light gold	36 867 660-26 0010
	Matte Black	36 867 660-33 0010
	Brushed Bronze	36 867 660-42 0010
	Brushed Champagne (22kt Gold)	36 867 660-46 0010
	Champagne (22kt Gold)	36 867 660-47 0010
	Brushed Chrome	36 867 660-93 0010
	Brushed Dark Platinum	36 867 660-99 0010

Required article



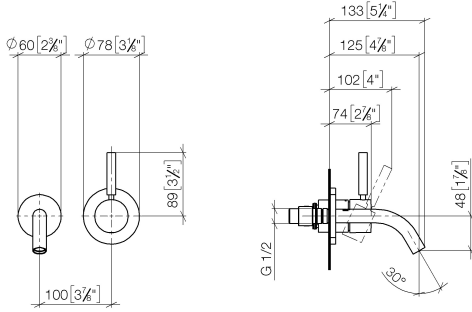
- Rough for wall-mounted faucet -** 35 860 970-90 0010
- Min. rough in depth "
 - Max. rough in depth "
 - Rough can be rotated to position the lever on top or to the left of the spout.



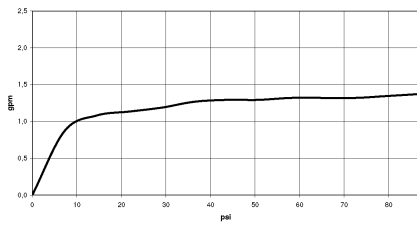
META Wall-mounted single-lever mixer without drain - Brushed Light Gold

36 867 660 Product version from 7/1/2023

mm [inches]



Flow rate chart



Codes & Standards

California Energy
Commission
(CEC)

NSF372

NSF61



META Wall-mounted single-lever mixer without drain - Brushed Light Gold

36 867 660 Product version from 7/1/2023

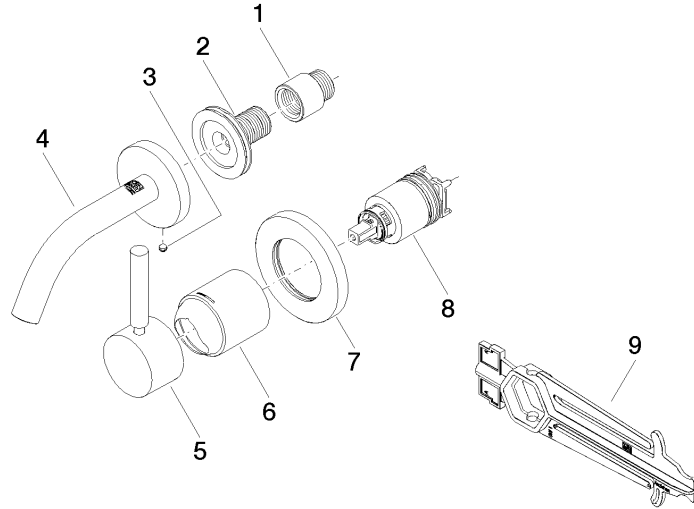
Certificates

IAPMO_N-4976

IAPMO_6397

META Wall-mounted single-lever mixer without drain - Brushed Light Gold

36 867 660 Product version from 7/1/2023



Spare parts list

Number	Item Number	Designation	Number of units	Lead time
1	09 24 03 072 10 90	nipple	1	2
2	90 24 03 280 00 90	nipple	1	2
3	09 31 11 148 90	pin	1	2
4	90 28 22 363 00-27	spout	1	30
5	90 20 66 007 00-27	handle	1	30
6	09 11 02 288-27	cover	1	60
7	90 27 62 011 00-27	rosette	1	30
8	90 15 05 064 01 90	cartridge	1	2
9	90 30 09 064 00 90	key	1	2