

VAIA Wall-mounted single-lever mixer without drain - Chrome

36 867 809



- 4-7/8" Projection
- Rigid spout
- Round aerated stream
- Spout hole diameter 1-3/8"
- Hole diameter single-lever mixer 2-1/4"
- Mixer with flange Ø 3-1/8"
- 2-1/8" diameter flange for spout
- Water flow rate limited to max. 1.2 gpm
- lead-free
- This product can help a building meet the requirements of Green Building Rating Systems, e.g. LEED®, BREEAM®, DGNB **(ADA)**

(ADA)

	Chrome	36 867 809-00 0010
	Brushed Platinum	36 867 809-06 0010
	Platinum	36 867 809-08 0010
	Brushed Durabronze (23kt Gold)	36 867 809-28 0010
	Brushed Bronze	36 867 809-42 0010
	Brushed Champagne (22kt Gold)	36 867 809-46 0010
	Champagne (22kt Gold)	36 867 809-47 0010
	Brushed Dark Platinum	36 867 809-99 0010

Required article



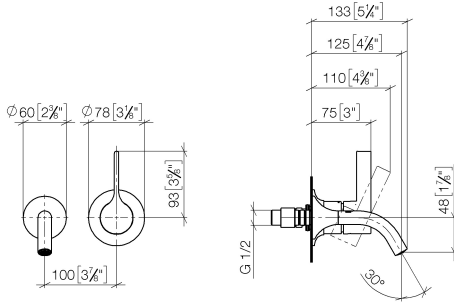
- Rough for wall-mounted faucet -** 35 860 970-90 0010
- Min. rough in depth "
 - Max. rough in depth "
 - Rough can be rotated to position the lever on top or to the left of the spout.



VAIA Wall-mounted single-lever mixer without drain - Chrome

36 867 809

mm [inches]



Codes & Standards

ASME A112.18.1 California Energy Commission (CEC) cUPC EPA WaterSense

NSF372 NSF61 WaterSense

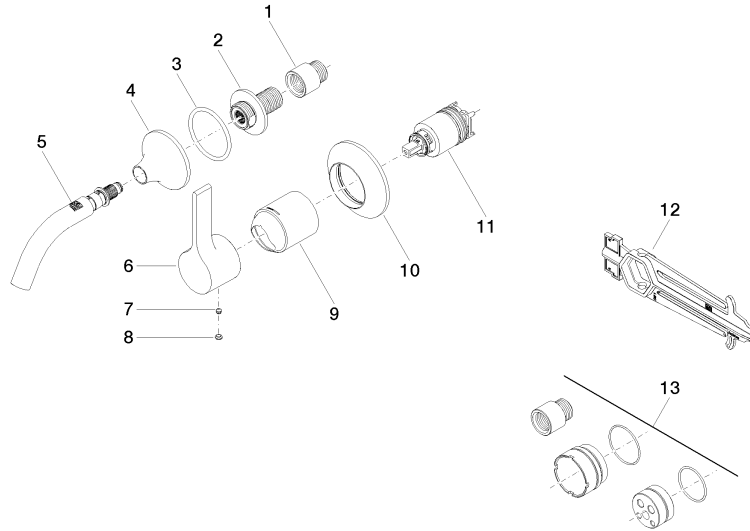


Certificates

IAPMO_6397 IAPMO_N-4976 IAPMO_8834 IAPMO_4976 (

VAIA Wall-mounted single-lever mixer without drain - Chrome

36 867 809



Spare parts list

Number	Item Number	Designation	Number of units	Lead time
1	09 24 03 072 10 90	nipple	1	2
2	09 24 03 269 90	nipple	1	2
3	09 14 10 084 90	seal	1	2
4	09 27 80 011-00	rosette	1	10
5	90 28 22 366 00-00	spout	1	10
6	09 20 80 021-00	handle	1	10
7	90 31 11 063 00 90	pin	1	2
8	90 31 20 087 00-00	plug	1	10
9	09 11 02 288-00	cover	1	10
10	90 27 80 012 00-00	rosette	1	10
11	90 15 05 064 01 90	cartridge	1	2
12	90 30 09 064 00 90	key	1	2
13	12 869 970 90	Extension 3/4" -	1	2