

## Pressure Balance Valve without diverter

36 900 660 Product version from 5/1/2024

- Cover plate Ø 5-7/8"



	Matte Black	36 900 660-33
	Chrome	36 900 660-00
	Brushed Platinum	36 900 660-06
	Platinum	36 900 660-08
	Dark Chrome	36 900 660-19
	Light gold	36 900 660-26
	Brushed Light Gold	36 900 660-27
	Brushed Durabronze (23kt Gold)	36 900 660-28
	Brushed Dark Brass	36 900 660-39
	Brushed Bronze	36 900 660-42
	Brushed Champagne (22kt Gold)	36 900 660-46
	Champagne (22kt Gold)	36 900 660-47
	Brushed Chrome	36 900 660-93
	Brushed Dark Platinum	36 900 660-99

### Required article

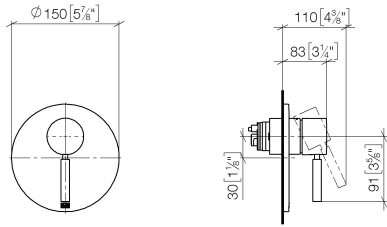


- Pressure Balance Valve -** 35 920 970 90
- Min. rough in depth "
  - Max. rough in depth "

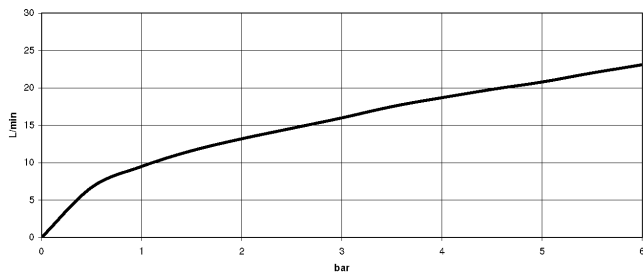
## Pressure Balance Valve without diverter

36 900 660 Product version from 5/1/2024

mm [inches]



### Flow rate chart



### Codes & Standards

ASME A112.18.1

cUPC



## Pressure Balance Valve without diverter

---

36 900 660 Product version from 5/1/2024

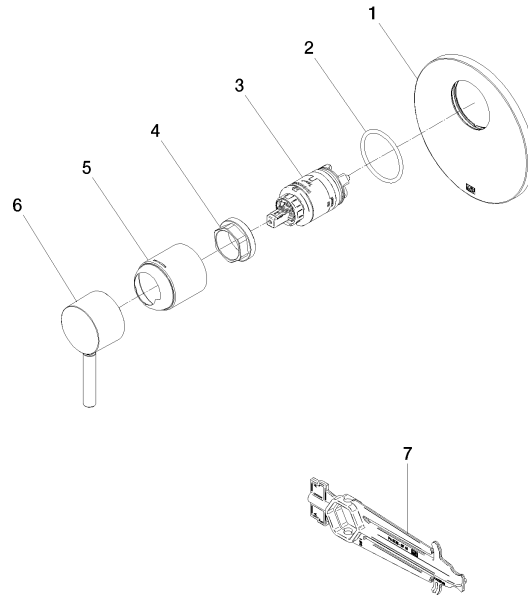
### Certificates

---

IAPMO\_4976 (

## Pressure Balance Valve without diverter

36 900 660 Product version from 5/1/2024



### Spare parts list

Number	Item Number	Designation	Number of units	Lead time
1	09 11 02 262-33	plate	1	30
2	09 14 10 084 90	seal	1	2
3	90 15 05 069 00 90	cartridge	1	2
4	09 24 04 448 90	nut	1	2
5	09 11 02 260-33	sleeve	1	30
6	90 20 66 004 00-33	handle	1	30
7	90 30 09 064 00 90	key	1	2