

Pressure Balance Valve without diverter

36 900 660 Product version from 5/1/2024

- Cover plate Ø 5-7/8"



	Brushed Dark Platinum	36 900 660-99
	Chrome	36 900 660-00
	Brushed Platinum	36 900 660-06
	Platinum	36 900 660-08
	Dark Chrome	36 900 660-19
	Light gold	36 900 660-26
	Brushed Light Gold	36 900 660-27
	Brushed Durabronze (23kt Gold)	36 900 660-28
	Matte Black	36 900 660-33
	Brushed Dark Brass	36 900 660-39
	Brushed Bronze	36 900 660-42
	Brushed Champagne (22kt Gold)	36 900 660-46
	Champagne (22kt Gold)	36 900 660-47
	Brushed Chrome	36 900 660-93

Required article

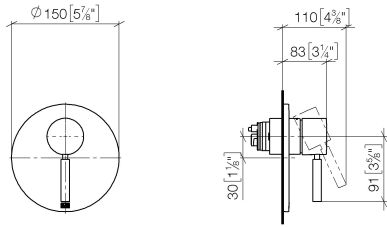


- Pressure Balance Valve -** 35 920 970 90
- Min. rough in depth "
 - Max. rough in depth "

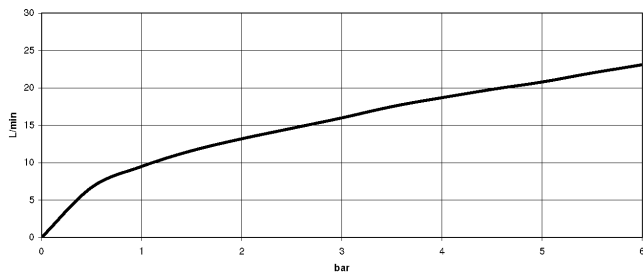
Pressure Balance Valve without diverter

36 900 660 Product version from 5/1/2024

mm [inches]



Flow rate chart



Codes & Standards

ASME A112.18.1

cUPC



Pressure Balance Valve without diverter

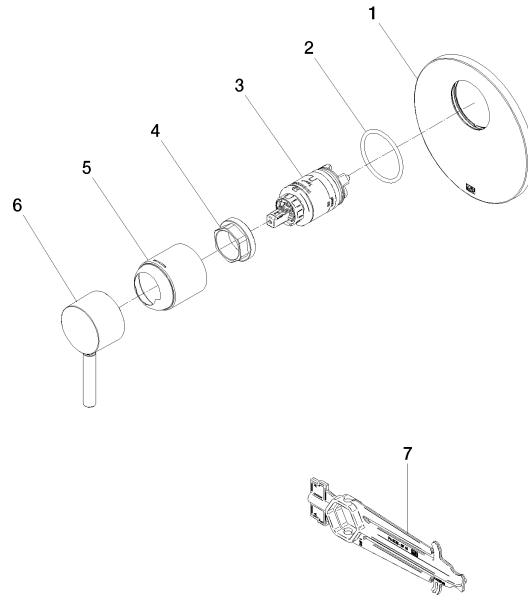
36 900 660 Product version from 5/1/2024

Certificates

IAPMO_4976 (

Pressure Balance Valve without diverter

36 900 660 Product version from 5/1/2024



Spare parts list

Number	Item Number	Designation	Number of units	Lead time
1	09 11 02 262-99	plate	1	20
2	09 14 10 084 90	seal	1	2
3	90 15 05 069 00 90	cartridge	1	2
4	09 24 04 448 90	nut	1	2
5	90 20 66 004 00-99	handle	1	20
6	09 11 02 260-99	sleeve	1	20
7	90 30 09 064 00 90	key	1	2