

Pressure Balance Valve without diverter

36 900 670 Product version from 5/1/2024

- Cover plate 3-1/2" x 5-7/8"



	Brushed Dark Platinum	36 900 670-99
	Chrome	36 900 670-00
	Brushed Platinum	36 900 670-06
	Platinum	36 900 670-08
	Dark Chrome	36 900 670-19
	Brushed Light Gold	36 900 670-27
	Brushed Durabronze (23kt Gold)	36 900 670-28
	Matte Black	36 900 670-33
	Brushed Champagne (22kt Gold)	36 900 670-46
	Champagne (22kt Gold)	36 900 670-47
	Brushed Chrome	36 900 670-93

Required article

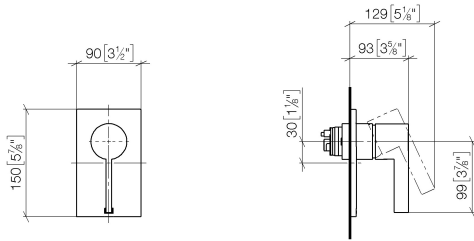


- Pressure Balance Valve -** 35 920 970 90
- Min. rough in depth "
 - Max. rough in depth "

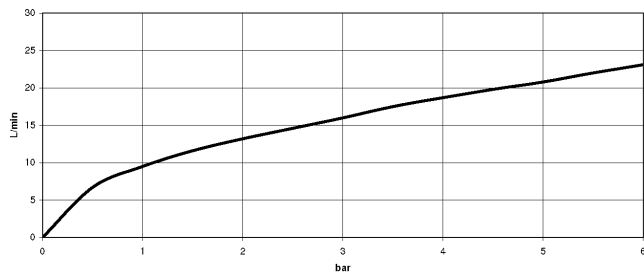
Pressure Balance Valve without diverter

36 900 670 Product version from 5/1/2024

mm [inches]



Flow rate chart



Codes & Standards

ASME A112.18.1

cUPC



Pressure Balance Valve without diverter

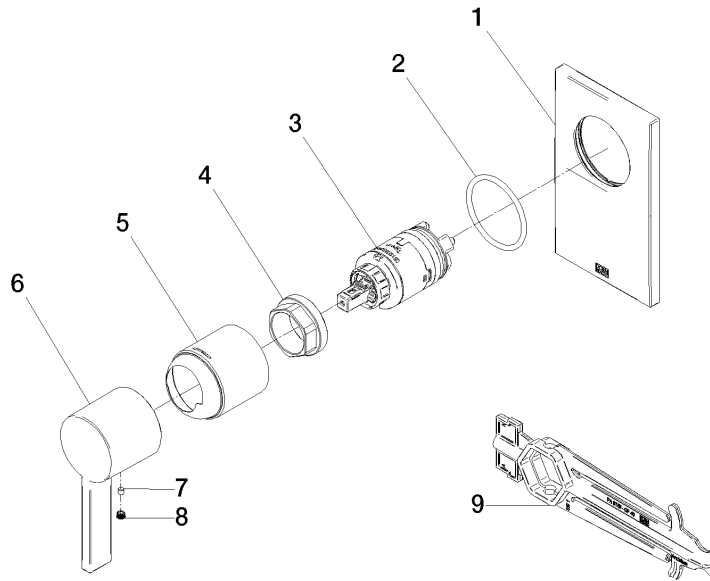
36 900 670 Product version from 5/1/2024

Certificates

IAPMO_4976 (

Pressure Balance Valve without diverter

36 900 670 Product version from 5/1/2024



Spare parts list

Number	Item Number	Designation	Number of units	Lead time
1	09 11 02 257-99	plate	1	20
2	09 14 10 084 90	seal	1	2
3	90 15 05 069 00 90	cartridge	1	2
4	09 24 04 448 90	nut	1	2
5	09 11 02 260-99	sleeve	1	20
6	09 20 67 007-99	handle	1	20
7	09 31 11 099 90	pin	1	2
8	90 31 20 109 00 90	plug	1	2
9	90 30 09 064 00 90	key	1	2