

Pressure Balance Valve without diverter

36 900 809 Product version from 5/1/2023

- Cover plate Ø 5-7/8"



	Platinum	36 900 809-08
	Chrome	36 900 809-00
	Brushed Platinum	36 900 809-06
	Dark Chrome	36 900 809-19
	Brushed Light Gold	36 900 809-27
	Brushed Durabronze (23kt Gold)	36 900 809-28
	Brushed Dark Brass	36 900 809-39
	Brushed Bronze	36 900 809-42
	Brushed Champagne (22kt Gold)	36 900 809-46
	Champagne (22kt Gold)	36 900 809-47
	Brushed Dark Platinum	36 900 809-99

Required article

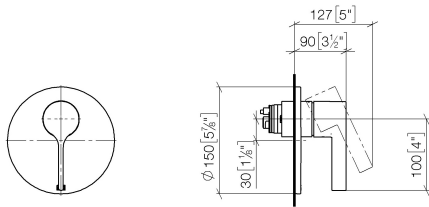


- Pressure Balance Valve -** 35 920 970 90
- Min. rough in depth "
 - Max. rough in depth "

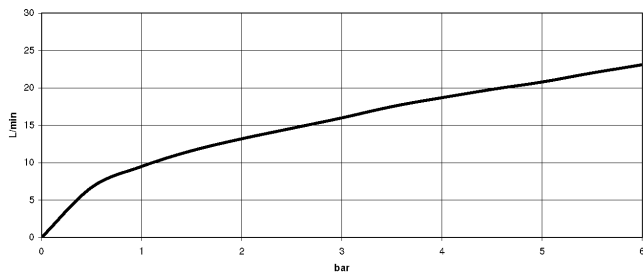
Pressure Balance Valve without diverter

36 900 809 Product version from 5/1/2023

mm [inches]



Flow rate chart



Codes & Standards

ASME A112.18.1

cUPC



Pressure Balance Valve without diverter

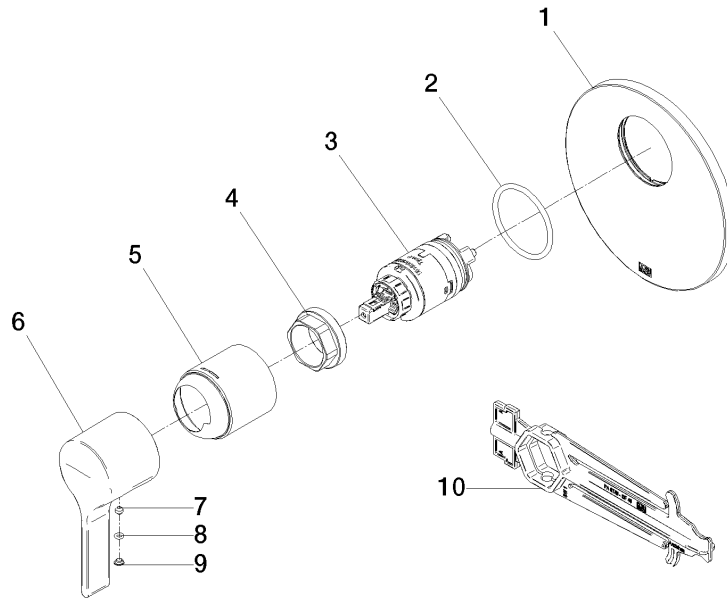
36 900 809 Product version from 5/1/2023

Certificates

IAPMO_4976 (

Pressure Balance Valve without diverter

36 900 809 Product version from 5/1/2023



Spare parts list

Number	Item Number	Designation	Number of units	Lead time
1	09 11 02 262-08	plate	1	40
2	09 14 10 084 90	seal	1	2
3	90 15 05 069 00 90	cartridge	1	2
4	09 24 04 448 90	nut	1	2
5	09 11 02 260-08	sleeve	1	40
6	09 20 80 023-08	handle	1	40
7	90 31 11 063 00 90	pin	1	2
8	09 14 10 133 90	seal	1	2
9	09 31 20 087-08	plug	1	60
10	90 30 09 064 00 90	key	1	2