

## Pressure Balance Valve without diverter

36 900 809 Product version from 5/1/2023

- Cover plate Ø 5-7/8"



	Brushed Dark Platinum	36 900 809-99
	Chrome	36 900 809-00
	Brushed Platinum	36 900 809-06
	Platinum	36 900 809-08
	Dark Chrome	36 900 809-19
	Brushed Light Gold	36 900 809-27
	Brushed Durabronze (23kt Gold)	36 900 809-28
	Brushed Dark Brass	36 900 809-39
	Brushed Bronze	36 900 809-42
	Brushed Champagne (22kt Gold)	36 900 809-46
	Champagne (22kt Gold)	36 900 809-47

### Required article

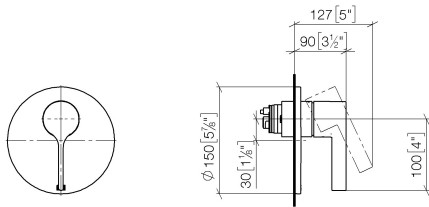


- Pressure Balance Valve -** 35 920 970 90
- Min. rough in depth "
  - Max. rough in depth "

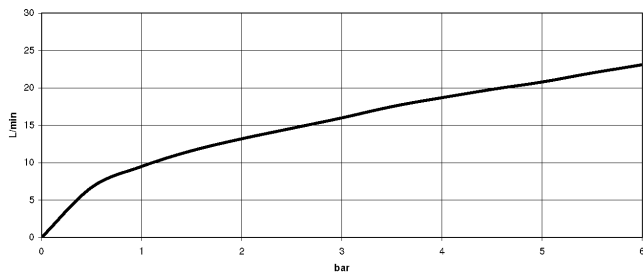
**Pressure Balance Valve without diverter**

36 900 809 Product version from 5/1/2023

mm [inches]



**Flow rate chart**



**Codes & Standards**

ASME A112.18.1      cUPC



## Pressure Balance Valve without diverter

---

36 900 809 Product version from 5/1/2023

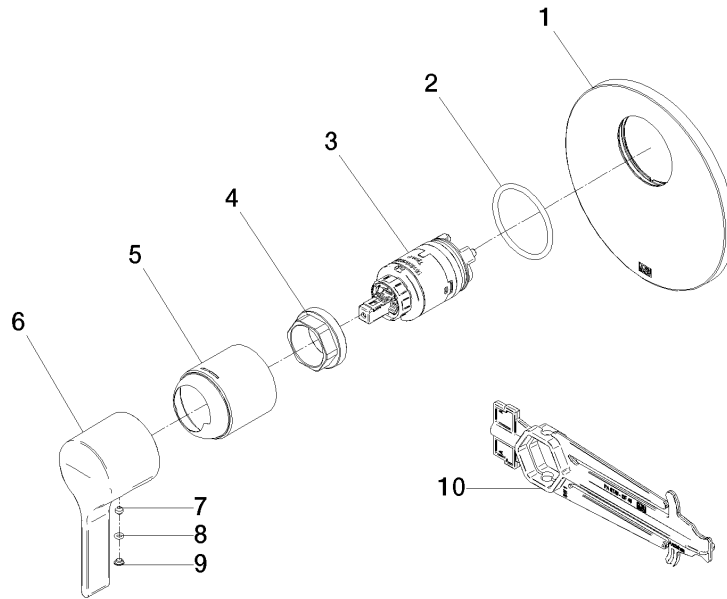
### Certificates

---

IAPMO\_4976 (

## Pressure Balance Valve without diverter

36 900 809 Product version from 5/1/2023



### Spare parts list

Number	Item Number	Designation	Number of units	Lead time
1	09 11 02 262-99	plate	1	20
2	09 14 10 084 90	seal	1	2
3	90 15 05 069 00 90	cartridge	1	2
4	09 24 04 448 90	nut	1	2
5	09 11 02 260-99	sleeve	1	20
6	09 20 80 023-99	handle	1	20
7	90 31 11 063 00 90	pin	1	2
8	09 14 10 133 90	seal	1	2
9	09 31 20 087-99	plug	1	60
10	90 30 09 064 00 90	key	1	2