



## DORNBRACHT YAMOU Pressure Balance Valve - Chrome



---

36 900 831 Product version from 5/1/2023

- Cover plate Ø "



---

	Chrome	36 900 831-00
	Soft Black	36 900 831-69

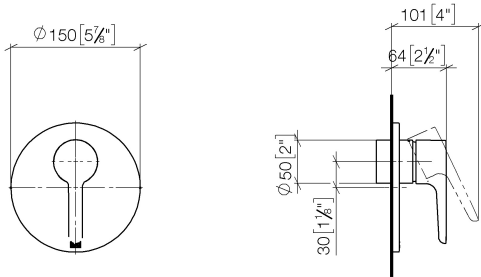
---



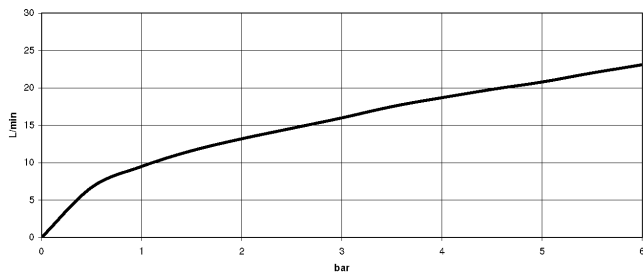
## DORNBRACHT YAMOU Pressure Balance Valve - Chrome

36 900 831 Product version from 5/1/2023

mm [inches]



### Flow rate chart



### Codes & Standards

ASME A112.18.1

cUPC



## DORNBRAUCH YAMOU Pressure Balance Valve - Chrome

---

36 900 831 Product version from 5/1/2023

### Certificates

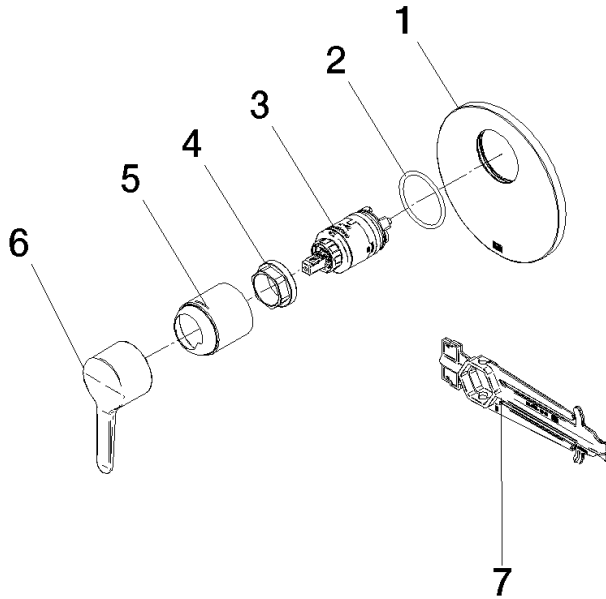
---

IAPMO\_4976 (

## DORNBRAUCHT YAMOU Pressure Balance Valve - Chrome

36 900 831 Product version from 5/1/2023

Parts for other finishes can be found here: [Soft Black](#)



### Spare parts list

Number	Item Number	Designation	Number of units	Lead time
1	09 11 02 262-00	plate	1	10
2	09 14 10 084 90	seal	1	2
3	90 15 05 069 00 90	cartridge	1	2
4	09 24 04 448 90	nut	1	2
5	09 11 02 360-00	cover	1	60
6	90 20 83 061 00-00	handle	1	20
7	90 30 09 064 00 90	key	1	2