

## META Steel 19 Washbasin wall-mounted right - Matte Black

---

38 003 668



### Washbasin Specifications

- Sink Ø 14-3/4"
- Sink on the right
- Overflow
- Drain opens / closes
- White glazed steel surface
- White drain cap
- Matte black powder coat frame and siphon cover
- Glass shelf
- Dimensions 39-3/8 x 25-1/4 x 19-1/4 "
- Weight 99 lbs

### Faucet Specifications

- 7-1/2" Projection
- Finish black matte (-33)
- Rigid spout
- Round aerated stream
- 2-1/2" diameter flange for spout
- Diameter flange for mixer 2-1/2"
- Water flow rate limited to max. 1.2 gpm
- lead-free
- 2 x pressure hose with 3/8" compression fitting

Note: Please follow local regulations when locating angle stops inside vs. outside of the siphon cover.

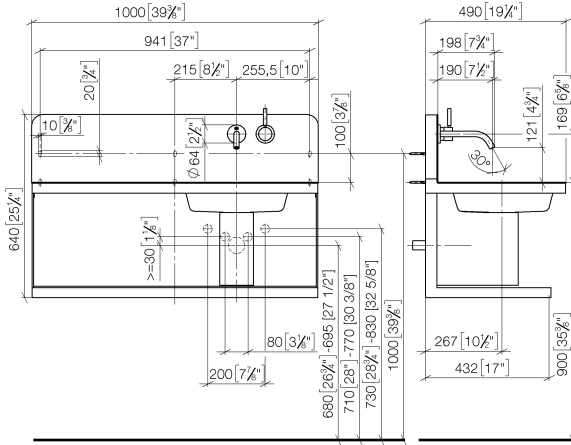
Brackets and hanger bolts for mounting to wood bracing included.

For alternate materials, hardware should be supplied by the installer.

**META Steel 19 Washbasin wall-mounted right - Matte Black**

38 003 668

mm [inches]  
1:10



**Codes & Standards**

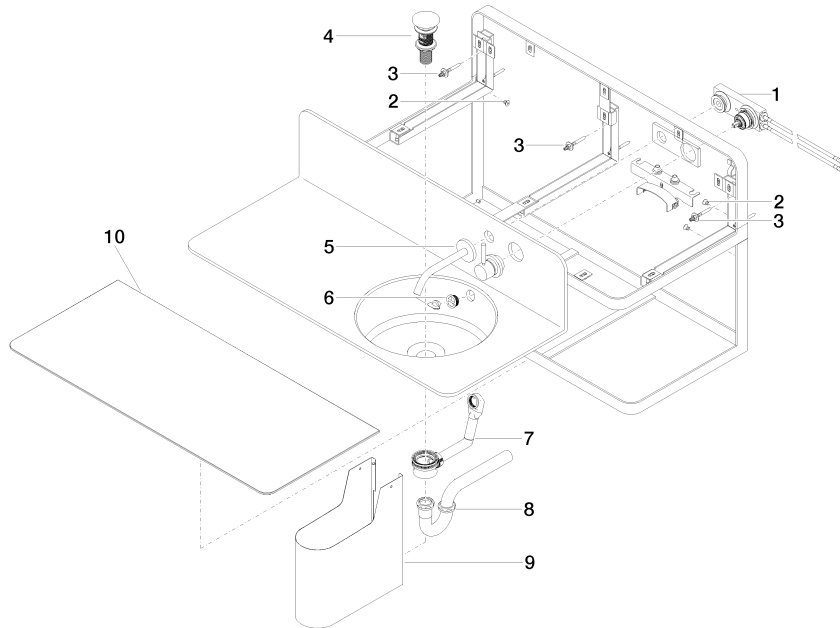
ASME A112.19.1      cUPC

**Certificates**

IAPMO\_7

**META Steel 19 Washbasin wall-mounted right - Matte Black**

38 003 668



**Spare parts list**

Number	Item Number	Designation	Number of units	Lead time
1	35 817 970-90 0010	pre-installation	1	60
2	90 23 10 002 00 90	fixing set	1	2
3	90 23 10 045 00 90	fixing set	3	2
4	90 11 01 016 00-12	valve	1	30
5	36 815 668-33 0010	fitting	1	60
6	90 11 01 210 05-33	rosette	1	30
7	90 28 23 001 00 90	pop-up waste	1	2
8	90 28 23 002 00 90	piping	1	2
9	90 11 01 029 00 90	cover	1	2
10	90 10 01 240 00 90	shelf	1	2