



Single bowl sink with tap hole surface - Brushed Stainless Steel

38 111 000



- Not available in the United States and Canada due to local code requirements. Please contact us for more information.
- Flush mount
- 20-1/8 x 20-1/8"
- 7-7/8" deep
- 3 1/2" lockable perforated basket valve
- Drain and overflow, including valve bridge
- includes mounting set
- suitable for vanity units 23-5/8"

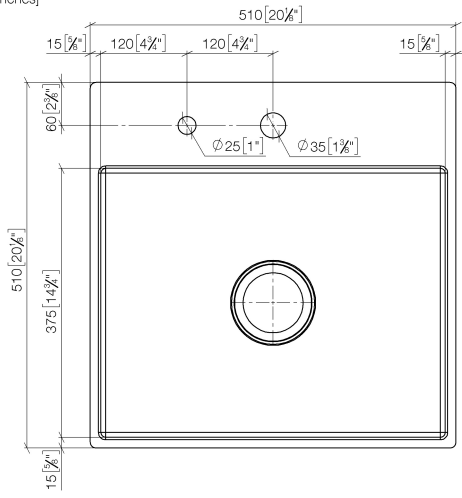
Excenter actuator not included in scope of delivery.

Not available in the United States and Canada due to local code requirements. Please contact us for more information.

Single bowl sink with tap hole surface - Brushed Stainless Steel

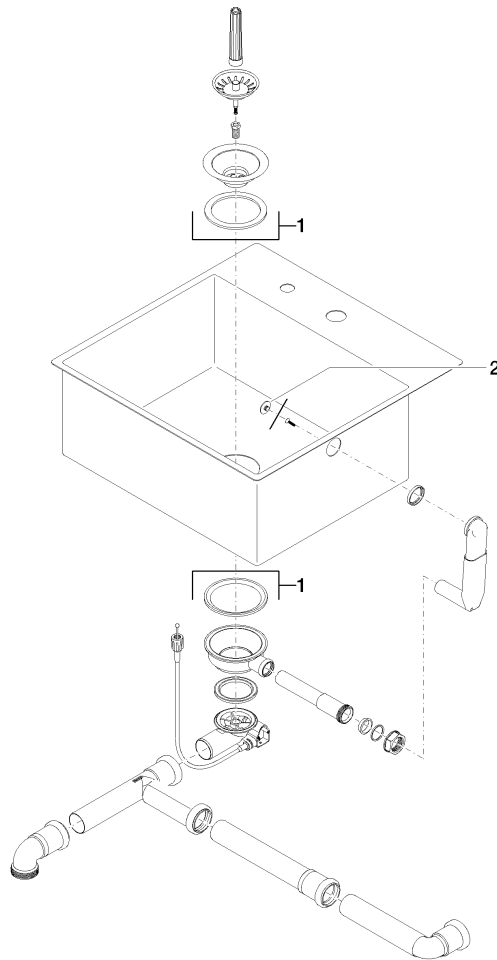
38 111 000

mm [inches]



Single bowl sink with tap hole surface - Brushed Stainless Steel

38 111 000



Spare parts list

Number	Item Number	Designation	Number of units	Lead time
1	04 11 01 010 00-86	pop-up waste	1	2
2	04 31 20 065 00-86	plug	1	30