



Lavatory Touchfree Faucet without drain - Brushed Dark Platinum

44 521 660 Product version from 10/1/2023



- Infrared sensor technology
- 6-1/2" Projection
- Total height 12-1/4"
- Height to aerator/spout outlet 7-7/8"
- 1-3/8" hole diameter
- Rigid spout
- Water flow rate limited to max. 0.5 gpm
- Laminar stream
- Thermal disinfection
- Automatic shut-off after 30 seconds
- Indirect temperature control (undercounter)
- Control box included
- Adjustable sensor detection range
- Battery or plug-in power supply operated (batteries not included)
- 4x AA (1.5V) batteries required
- lead-free
- 1x 3/8" flexible supply line
- This product can help a building meet the requirements of Green Building Rating Systems, e.g. LEED®, BREEAM®, DGNB

Batteries not included

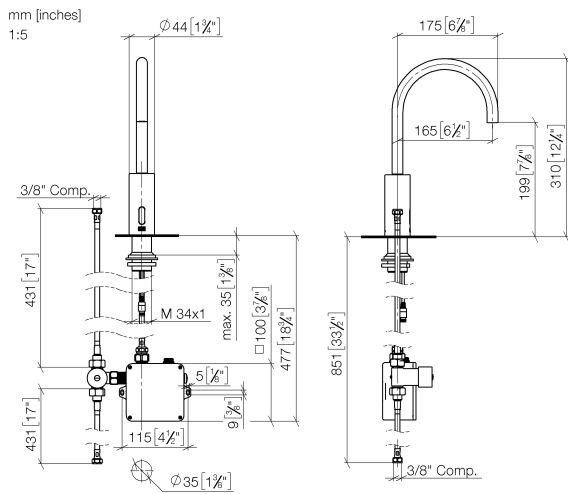
NOTE: A tempering device is recommended for installation in public areas. Please refer to your local building codes.

	Brushed Dark Platinum	44 521 660-99 0010
	Chrome	44 521 660-00 0010
	Brushed Platinum	44 521 660-06 0010
	Platinum	44 521 660-08 0010
	Dark Chrome	44 521 660-19 0010
	Light gold	44 521 660-26 0010
	Brushed Light Gold	44 521 660-27 0010
	Brushed Durabronze (23kt Gold)	44 521 660-28 0010
	Brushed Bronze	44 521 660-42 0010
	Brushed Champagne (22kt Gold)	44 521 660-46 0010
	Champagne (22kt Gold)	44 521 660-47 0010
	Brushed Chrome	44 521 660-93 0010

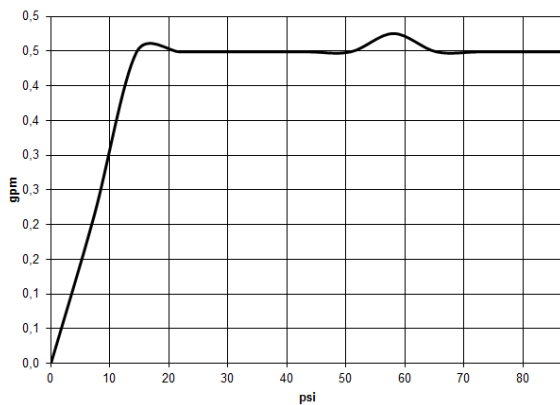


Lavatory Touchfree Faucet without drain - Brushed Dark Platinum

44 521 660 Product version from 10/1/2023



Flow rate chart



Codes & Standards

ASME A112.18.1

California Energy
Commission
(CEC)

cUPC

NSF372



Lavatory Touchfree Faucet without drain - Brushed Dark Platinum

44 521 660 Product version from 10/1/2023

Certificates

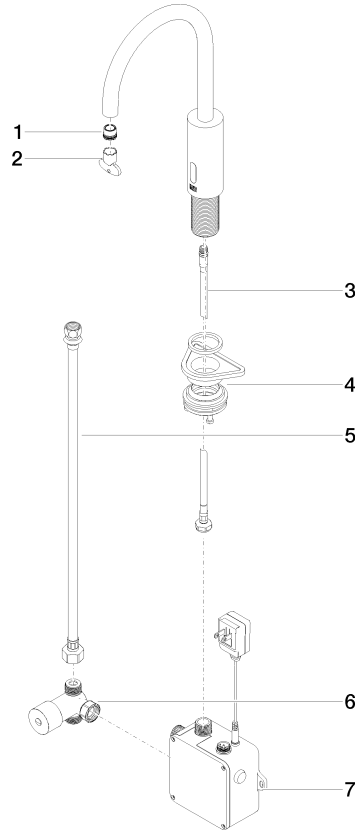
IAPMO_6397

IAPMO_4976 (

Lavatory Touchfree Faucet without drain - Brushed Dark Platinum

44 521 660 Product version from 10/1/2023

Parts for other finishes can be found here: [Chrome](#)



Spare parts list

Number	Item Number	Designation	Number of units	Lead time
1	09 29 03 094 90	aerator	1	2
2	90 30 09 028 00 90	key	1	2
3	04 30 04 108 00 90	hose	1	60
4	04 23 10 044 08 90	fixing set	1	2
5	12 506 970 90	High pressure hoses -	1	2
6	90 30 50 081 00 90	valve	1	2
7	90 10 01 247 02 90	valve box	1	60