




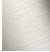

Soap dispenser with flange - Chrome

82 439 970 Product version from 4/1/2025



- 4-7/8" Projection
- 16.91 oz bottle capacity
- Refillable above countertop
- 360° swivel
- Height 4-7/8"
- 1" hole diameter
- Individual flanges 2-1/8" x 2-1/8"

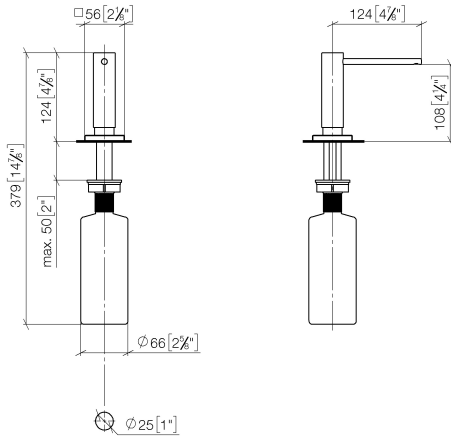
Fits LOT

	Chrome	82 439 970-00
	Brushed Platinum	82 439 970-06
	Platinum	82 439 970-08

Soap dispenser with flange - Chrome

82 439 970 Product version from 4/1/2025

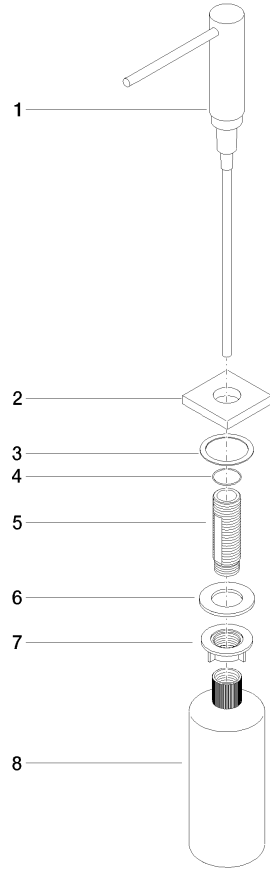
mm [inches]



Soap dispenser with flange - Chrome

82 439 970 Product version from 4/1/2025

Parts for other finishes can be found here: Brushed Platinum



Spare parts list

Number	Item Number	Designation	Number of units	Lead time
1	90 10 10 538 00-00	dispenser	1	30
2	08 27 97 505-00	rosette	1	10
3	08 10 10 624 90	disc	1	2
4	09 14 10 151 90	seal	1	2
5	08 10 10 527 90	holder	1	2
6	09 14 05 014 90	seal	1	2
7	08 10 10 517 90	nut	1	2
8	90 10 10 603 00 90	container	1	2