






EDITION PRO Towel bar two-piece fixed - Matte Black

83 210 626



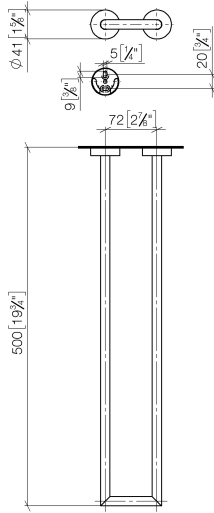
- Center to center 2-7/8"
- Width 4-1/2"
- Height 1-5/8"
- Flange diameter 1-5/8"
- 19-5/8" Projection

| | | |
|-----------------------------------------------------------------------------------|----------------|---------------|
|  | Matte Black | 83 210 626-33 |
|  | Chrome | 83 210 626-00 |
|  | Brushed Chrome | 83 210 626-93 |

EDITION PRO Towel bar two-piece fixed - Matte Black

83 210 626

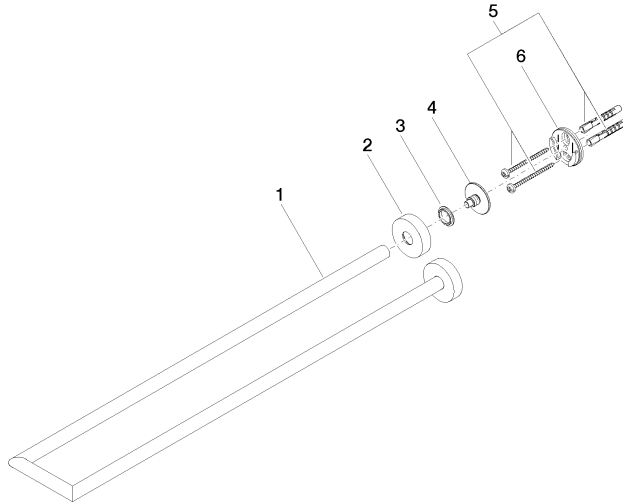
mm [inches]



EDITION PRO Towel bar two-piece fixed - Matte Black

83 210 626

Parts for other finishes can be found here: [Chrome](#)



Spare parts list

| Number | Item Number | Designation | Number of units | Lead time |
|--------|--------------------|-------------|-----------------|-----------|
| 1 | 05 28 22 627 00-33 | holder | 1 | 30 |
| 2 | 08 27 97 500-33 | rosette | 2 | 30 |
| 3 | 08 30 11 516 90 | ring | 2 | 2 |
| 4 | 08 17 97 560 90 | holder | 2 | 2 |
| 5 | 05 30 31 025 00 90 | fixing set | 1 | 2 |
| 6 | 08 17 97 501 07 | holder | 1 | 2 |