



Tissue holder without cover - Brushed Platinum

83 500 780

- Width 5-1/2"
- Height 1-3/8"
- 3-3/8" Projection

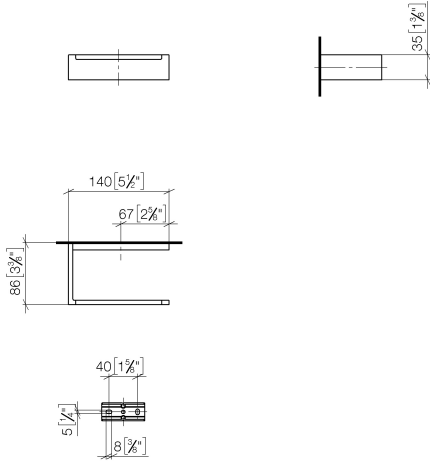


	Brushed Platinum	83 500 780-06
	Chrome	83 500 780-00
	Platinum	83 500 780-08
	Dark Chrome	83 500 780-19
	Brushed Durabronze (23kt Gold)	83 500 780-28
	Brushed Champagne (22kt Gold)	83 500 780-46
	Champagne (22kt Gold)	83 500 780-47
	Brushed Dark Platinum	83 500 780-99

Tissue holder without cover - Brushed Platinum

83 500 780

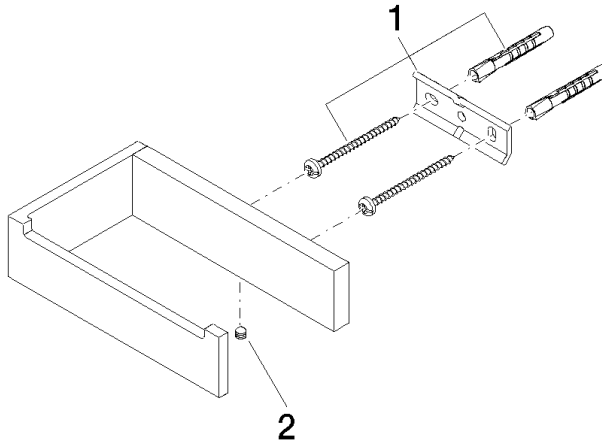
mm [inches]



Tissue holder without cover - Brushed Platinum

83 500 780

Parts for other
finishes can be found
here: [Chrome](#)



Spare parts list

Number	Item Number	Designation	Number of units	Lead time
1	05 17 20 718 00 90	fixing set	1	2
2	90 31 11 112 00 90	pin	1	2