

**VAIA Tissue holder without cover - Dark Chrome**

83 500 809



- Width 5-1/8"
- Height 4-1/4"
- Flange diameter 2-3/8"
- 2-1/2" Projection

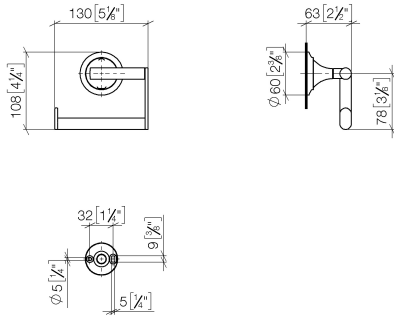
	Dark Chrome	83 500 809-19
	Chrome	83 500 809-00
	Brushed Platinum	83 500 809-06
	Platinum	83 500 809-08
	Brushed Durabronze (23kt Gold)	83 500 809-28
	Brushed Bronze	83 500 809-42
	Brushed Champagne (22kt Gold)	83 500 809-46
	Champagne (22kt Gold)	83 500 809-47
	Brushed Dark Platinum	83 500 809-99

## VAIA Tissue holder without cover - Dark Chrome

---

83 500 809

mm [inches]

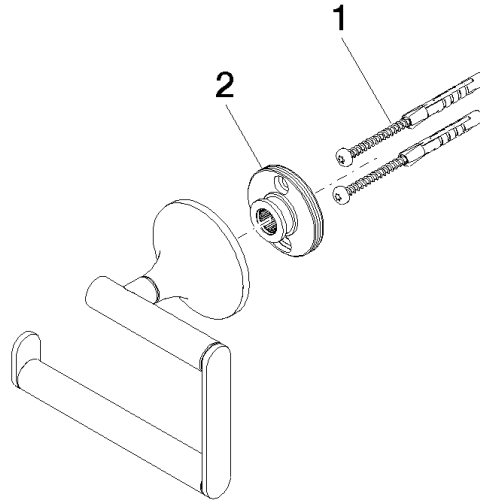


**VAIA Tissue holder without cover - Dark Chrome**

---

83 500 809

Parts for other finishes can be found here: [Chrome](#)



**Spare parts list**

Number	Item Number	Designation	Number of units	Lead time
1	05 30 31 025 00 90	fixing set	1	2
2	90 17 20 759 00 90	disc	1	2