

TARA Tissue holder without cover - Brushed Platinum

83 500 892 Product version from 4/1/2024



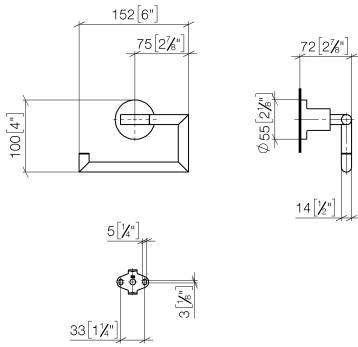
- Width 6"
- Height 3-7/8"
- Flange diameter 2-1/8"
- 2-7/8" Projection

	Brushed Platinum	83 500 892-06
	Chrome	83 500 892-00
	Platinum	83 500 892-08
	Dark Chrome	83 500 892-19
	Brushed Durabronze (23kt Gold)	83 500 892-28
	Matte Black	83 500 892-33
	Brushed Bronze	83 500 892-42
	Brushed Champagne (22kt Gold)	83 500 892-46
	Champagne (22kt Gold)	83 500 892-47
	Brushed Chrome	83 500 892-93
	Brushed Dark Platinum	83 500 892-99

TARA Tissue holder without cover - Brushed Platinum

83 500 892 Product version from 4/1/2024

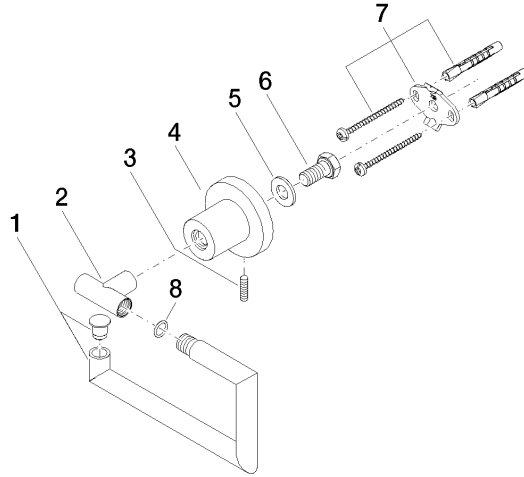
mm [inches]



TARA Tissue holder without cover - Brushed Platinum

83 500 892 Product version from 4/1/2024

Parts for other finishes can be found here: [Chrome](#)



Spare parts list

Number	Item Number	Designation	Number of units	Lead time
1	90 28 22 640 00-06	holder	1	-
Spare part can no longer be ordered, please order the replacement item				
2	05 17 89 552 00-06	holder	1	10
3	04 31 11 113 00 90	pin	1	2
4	08 17 89 505-06	holder	1	10
5	09 30 11 046 90	disc	1	2
6	09 30 30 071 90	screw	1	2
7	05 17 20 739 00 90	fixing set	1	2
8	09 14 10 042 90	seal	1	2