



TARA Tissue holder with cover - Chrome

83 510 892 Product version from 4/1/2024



- Width 6"
- Height 3-7/8"
- Flange diameter 2-1/8"
- 3" Projection

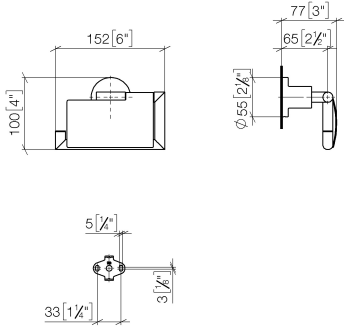
	Chrome	83 510 892-00
	Brushed Platinum	83 510 892-06
	Platinum	83 510 892-08
	Dark Chrome	83 510 892-19
	Brushed Durabronze (23kt Gold)	83 510 892-28
	Matte Black	83 510 892-33
	Brushed Bronze	83 510 892-42
	Brushed Champagne (22kt Gold)	83 510 892-46
	Champagne (22kt Gold)	83 510 892-47
	Brushed Chrome	83 510 892-93
	Brushed Dark Platinum	83 510 892-99



TARA Tissue holder with cover - Chrome

83 510 892 Product version from 4/1/2024

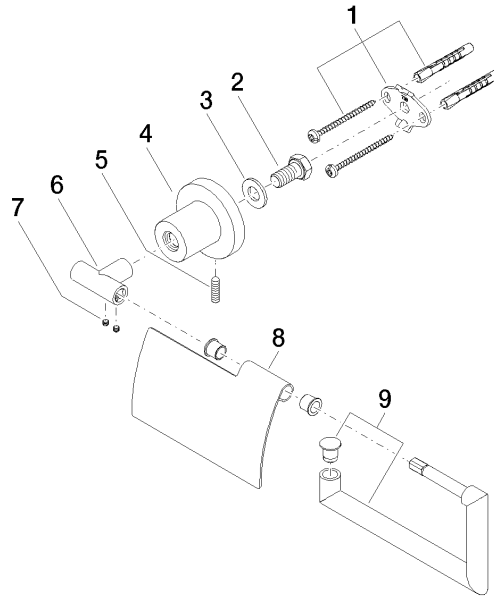
mm [inches]



TARA Tissue holder with cover - Chrome

83 510 892 Product version from 4/1/2024

Parts for other
finishes can be found
here: Brushed
Platinum



Spare parts list

Number	Item Number	Designation	Number of units	Lead time
1	05 17 20 739 00 90	fixing set	1	2
2	09 30 30 071 90	screw	1	2
3	09 30 11 046 90	disc	1	2
4	08 17 89 505-00	holder	1	10
5	04 31 11 113 00 90	pin	1	2
6	05 17 89 553 00-00	holder	1	10
7	90 31 11 038 00 90	pin	2	2
8	08 11 02 514-00	lid	1	10
9	90 28 22 641 00-00	holder	1	10