



VAIA Reserve tissue holder - Chrome

83 590 809 Product version from 8/29/2019



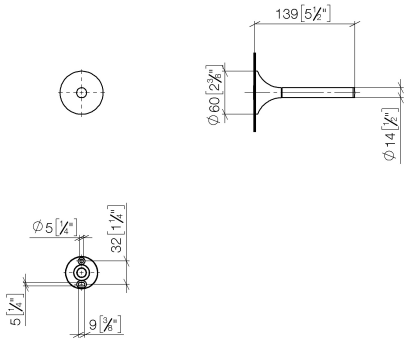
- Width 2-3/8"
- Height 2-3/8"
- Flange diameter 2-3/8"
- 5-1/2" Projection

	Chrome	83 590 809-00
	Brushed Platinum	83 590 809-06
	Platinum	83 590 809-08
	Dark Chrome	83 590 809-19
	Brushed Durabronze (23kt Gold)	83 590 809-28
	Brushed Bronze	83 590 809-42
	Brushed Champagne (22kt Gold)	83 590 809-46
	Champagne (22kt Gold)	83 590 809-47
	Brushed Dark Platinum	83 590 809-99

VAIA Reserve tissue holder - Chrome

83 590 809 Product version from 8/29/2019

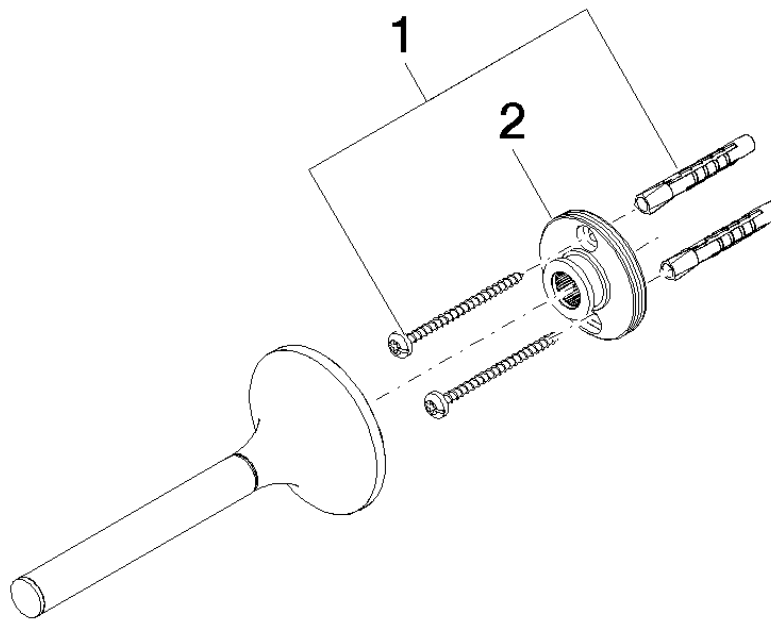
mm [inches]



VAIA Reserve tissue holder - Chrome

83 590 809 Product version from 8/29/2019

Parts for other finishes can be found here: Brushed Platinum



Spare parts list

Number	Item Number	Designation	Number of units	Lead time
1	05 30 31 025 00 90	fixing set	1	2
2	90 17 20 759 00 90	disc	1	2