



## Reserve tissue holder - Dark Chrome

---

83 590 979

- Flange diameter 1-5/8"
- 4-1/8" Projection



	Dark Chrome	83 590 979-19
	Chrome	83 590 979-00
	Brushed Platinum	83 590 979-06
	Light gold	83 590 979-26
	Brushed Light Gold	83 590 979-27
	Matte Black	83 590 979-33
	Brushed Bronze	83 590 979-42
	Brushed Champagne (22kt Gold)	83 590 979-46
	Champagne (22kt Gold)	83 590 979-47
	Brushed Chrome	83 590 979-93
	Brushed Dark Platinum	83 590 979-99

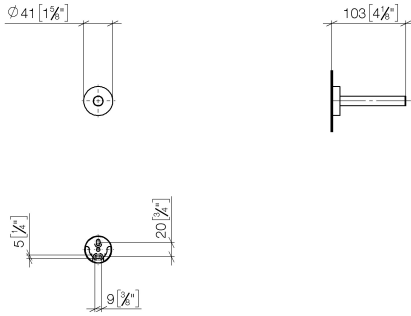


## Reserve tissue holder - Dark Chrome

---

83 590 979

mm [inches]



## Reserve tissue holder - Dark Chrome

---

83 590 979

Parts for other  
finishes can be found  
here: [Chrome](#)

