



## Reserve tissue holder - Brushed Light Gold

83 590 979 Product version from 7/1/2023

- Flange diameter 1-5/8"
- 4-1/8" Projection



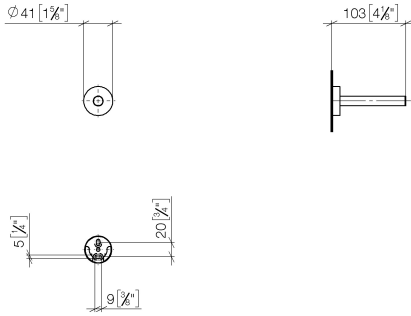
	Brushed Light Gold	83 590 979-27
	Chrome	83 590 979-00
	Brushed Platinum	83 590 979-06
	Dark Chrome	83 590 979-19
	Light gold	83 590 979-26
	Matte Black	83 590 979-33
	Brushed Bronze	83 590 979-42
	Brushed Champagne (22kt Gold)	83 590 979-46
	Champagne (22kt Gold)	83 590 979-47
	Brushed Chrome	83 590 979-93
	Brushed Dark Platinum	83 590 979-99

## Reserve tissue holder - Brushed Light Gold

---

83 590 979 Product version from 7/1/2023

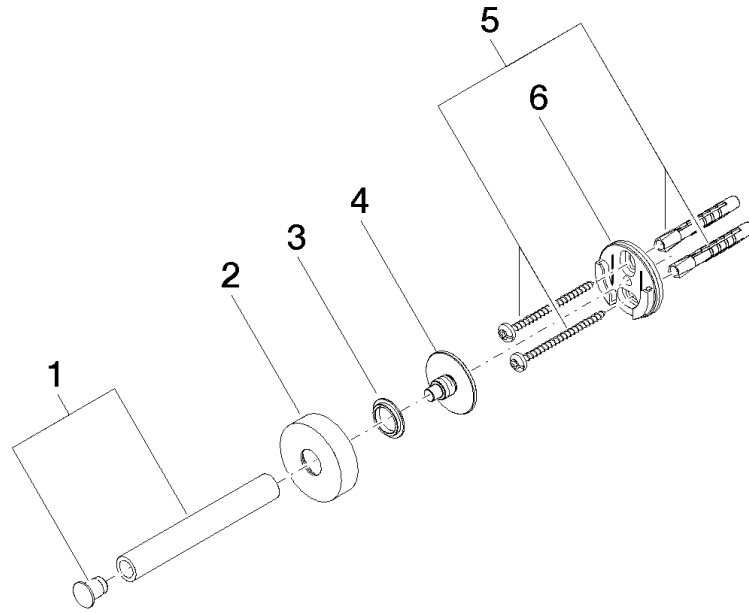
mm [inches]



## Reserve tissue holder - Brushed Light Gold

83 590 979 Product version from 7/1/2023

Parts for other finishes can be found here: [Chrome](#)



### Spare parts list

Number	Item Number	Designation	Number of units	Lead time
1	90 17 97 567 00-27	holder	1	30
2	08 27 97 500-27	rosette	1	60
3	08 30 11 516 90	ring	1	2
4	08 17 97 560 90	holder	1	2
5	05 30 31 025 00 90	fixing set	1	2
6	08 17 97 501 07	holder	3	2