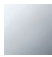










13 672 661



- 282mm projection
- circular normal flow
- total height 811 - 881 mm
- height up to aerator 671 – 741 mm
- slide-on rosettes Ø 135 mm
- max. flow 28.6 l/min at 3 bar flow pressure
- WRAS 2001026

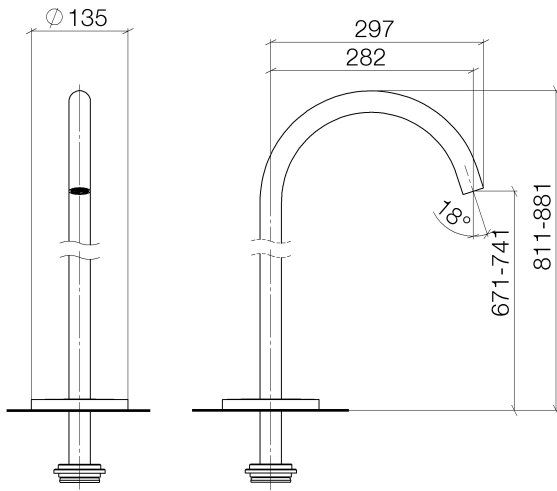
|   |                       |               |
|---|-----------------------|---------------|
|  | Chrome                | 13 672 661-00 |
|  | Brushed Platinum      | 13 672 661-06 |
|  | Dark Chrome           | 13 672 661-19 |
|  | Light Gold            | 13 672 661-26 |
|  | Brushed Light Gold    | 13 672 661-27 |
|  | Matte Black           | 13 672 661-33 |
|  | Brushed Bronze        | 13 672 661-42 |
|  | Brushed Chrome        | 13 672 661-93 |
|  | Brushed Dark Platinum | 13 672 661-99 |

**Required miscellaneous**

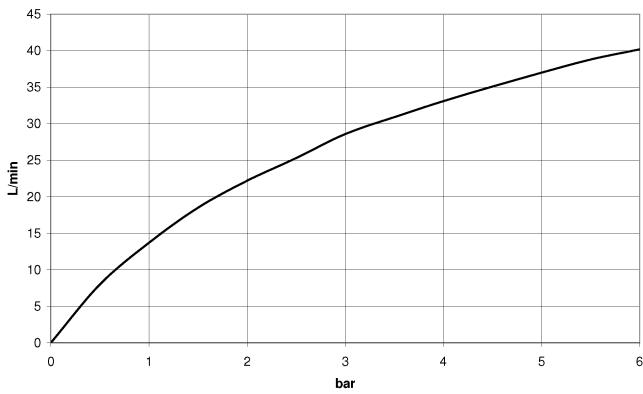


- Concealed floor mounting -** 35 949 970-90  
 • max. recess depth 150 mm 0010  
 • min. recess depth 80 mm

13 672 661



**Flow rate chart**



**Codes & Standards**

ASME  
A112.18.1/CSA  
B125.1



## META Bath spout without diverter for free-standing assembly - Chrome

---

META

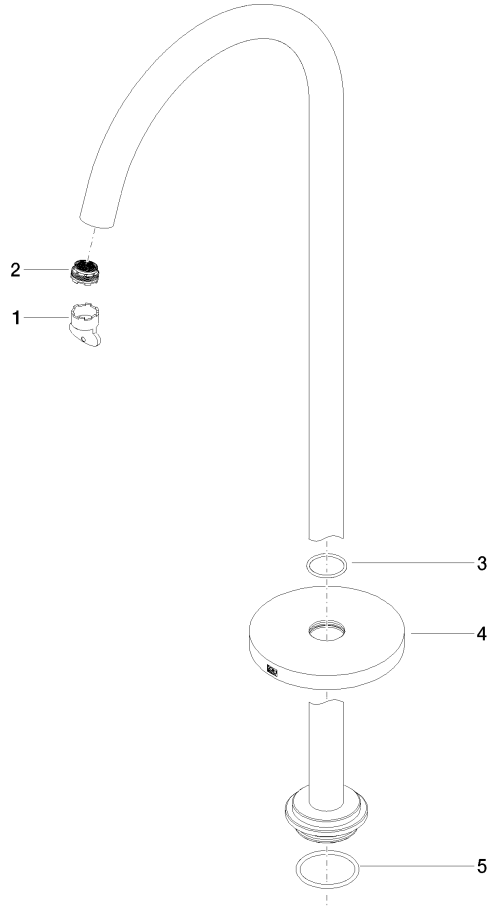
13 672 661

### Certificates

---

IAPMO\_4976 (5).    LGA\_18272.    WRAS\_2001026.

13 672 661



**Spare parts list**

| No. | Item Number        | Name    | Quantity used | Delivery time |
|-----|--------------------|---------|---------------|---------------|
| 1   | 04 30 09 027 00 90 | key     | 1             | 2             |
| 2   | 09 29 03 127 90    | aerator | 1             | 60            |
| 3   | 09 14 10 101 90    | seal    | 1             | 2             |
| 4   | 09 27 85 003-00    | rosette | 1             | 10            |
| 5   | 09 14 10 084 90    | seal    | 1             | 2             |