

13 672 661



- 282mm projection
- circular normal flow
- total height 811 - 881 mm
- height up to aerator 671 – 741 mm
- slide-on rosettes Ø 135 mm
- max. flow 28.6 l/min at 3 bar flow pressure
- WRAS 2001026

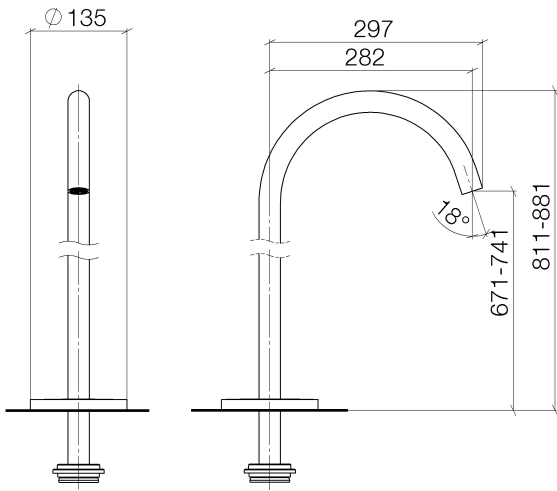
	Light Gold	13 672 661-26
	Chrome	13 672 661-00
	Brushed Platinum	13 672 661-06
	Dark Chrome	13 672 661-19
	Brushed Light Gold	13 672 661-27
	Matte Black	13 672 661-33
	Brushed Bronze	13 672 661-42
	Brushed Chrome	13 672 661-93
	Brushed Dark Platinum	13 672 661-99

**Required miscellaneous**

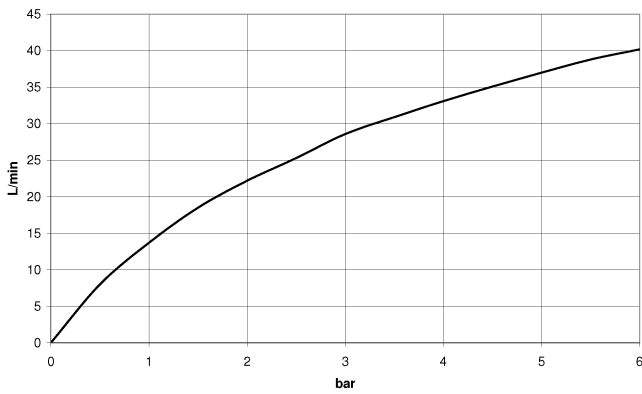


- Concealed floor mounting -** 35 949 970-90
- min. recess depth 80 mm 0010
  - max. recess depth 150 mm

13 672 661



### Flow rate chart

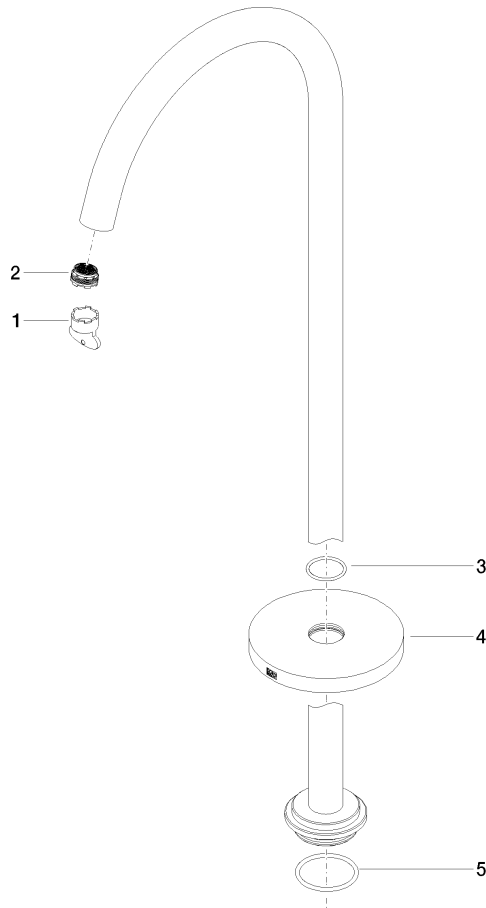


### Codes & Standards

ASME  
A112.18.1/CSA  
B125.1

13 672 661

Product version from 5/27/2021





**META Bath spout without diverter for free-standing assembly - Light Gold**

META

13 672 661

**Spare parts list**

**Product version from 5/27/2021**

No.	Item Number	Name	Quantity used	Delivery time
	04 30 09 027 00 90	key	5	2