








META Bath spout without diverter for free-standing assembly - Brushed Light Gold

META

13 672 661



- 282mm projection
- circular normal flow
- total height 811 - 881 mm
- height up to aerator 671 – 741 mm
- slide-on rosettes Ø 135 mm
- max. flow 28.6 l/min at 3 bar flow pressure
- WRAS 2001026

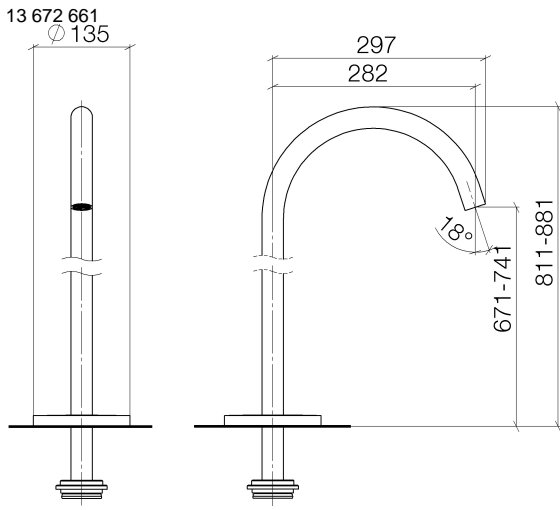
	Brushed Light Gold	13 672 661-27
	Chrome	13 672 661-00
	Brushed Platinum	13 672 661-06
	Dark Chrome	13 672 661-19
	Light Gold	13 672 661-26
	Matte Black	13 672 661-33
	Brushed Bronze	13 672 661-42
	Brushed Chrome	13 672 661-93
	Brushed Dark Platinum	13 672 661-99

Required miscellaneous

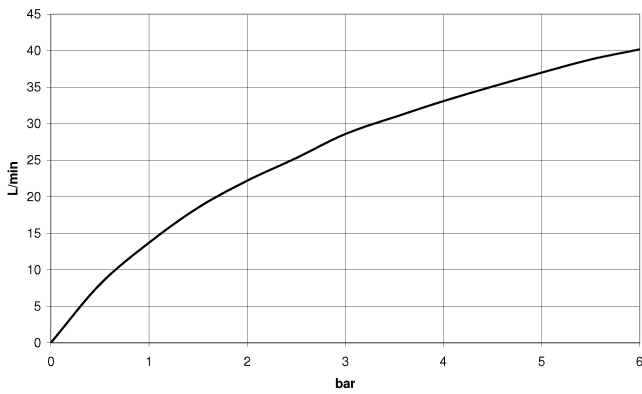


- Concealed floor mounting -**
- min. recess depth 80 mm
 - max. recess depth 150 mm

35 949 970-90
0010



Flow rate chart

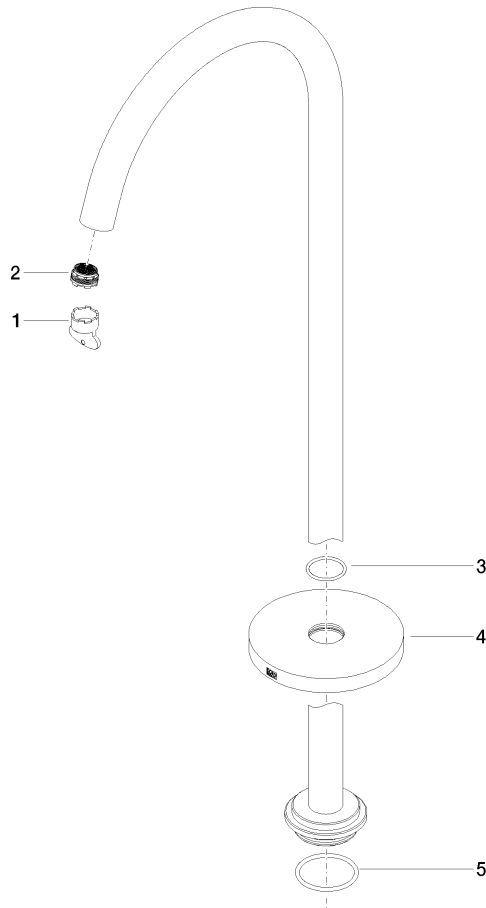


Codes & Standards

ASME
A112.18.1/CSA
B125.1

13 672 661

Product version from 5/27/2021





META Bath spout without diverter for free-standing assembly - Brushed Light Gold

META

13 672 661

Spare parts list

Product version from 5/27/2021

No.	Item Number	Name	Quantity used	Delivery time
	04 30 09 027 00 90	key	5	2